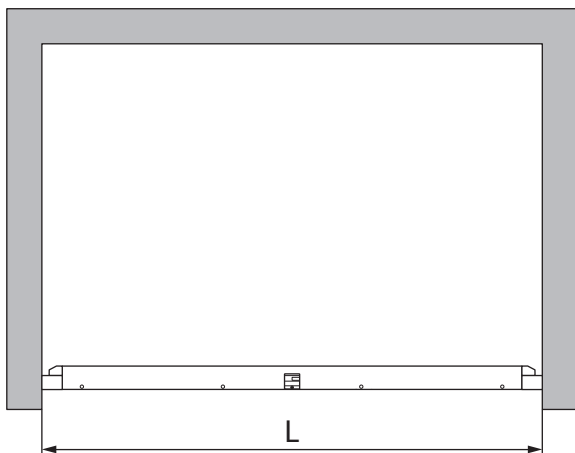
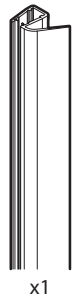
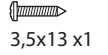
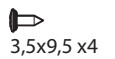
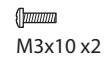
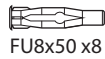
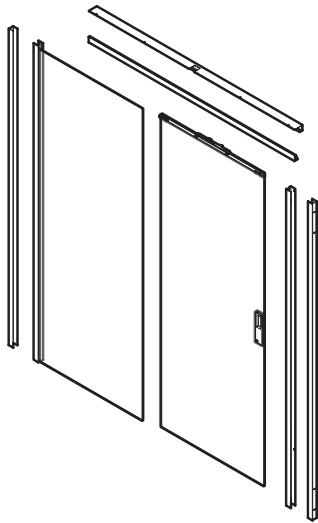
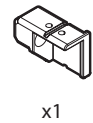
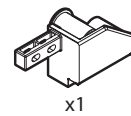
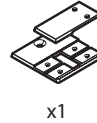
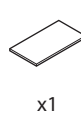
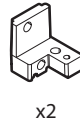
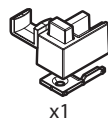
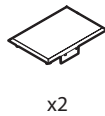
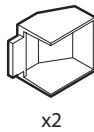
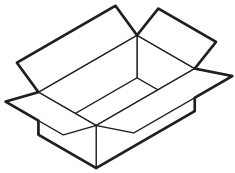
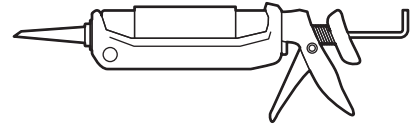
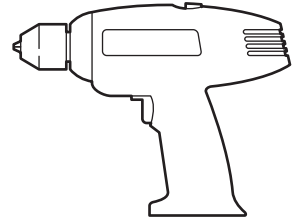
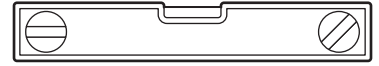
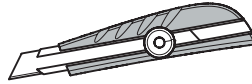
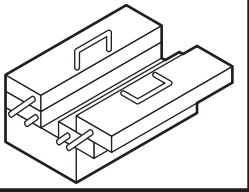


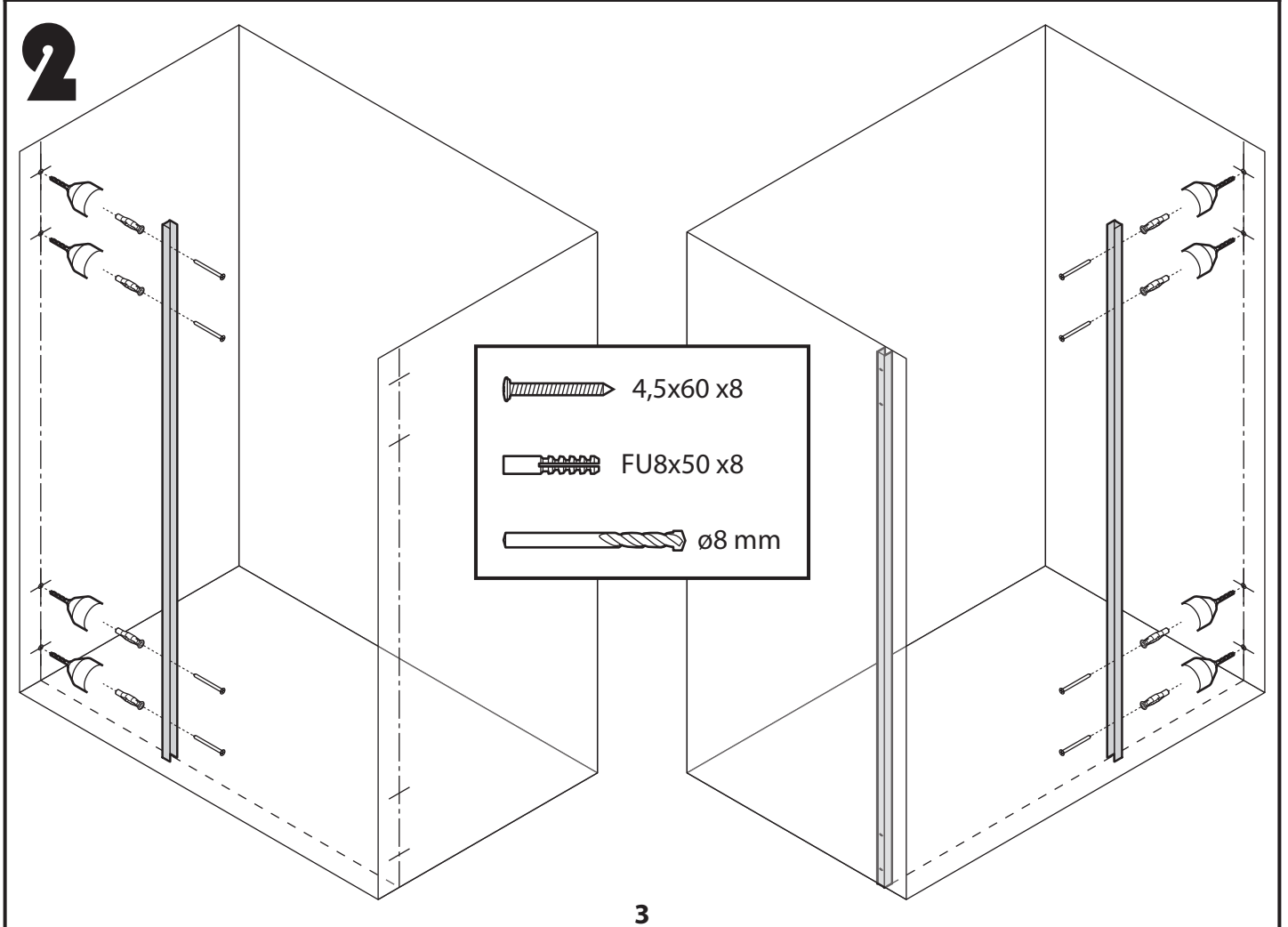
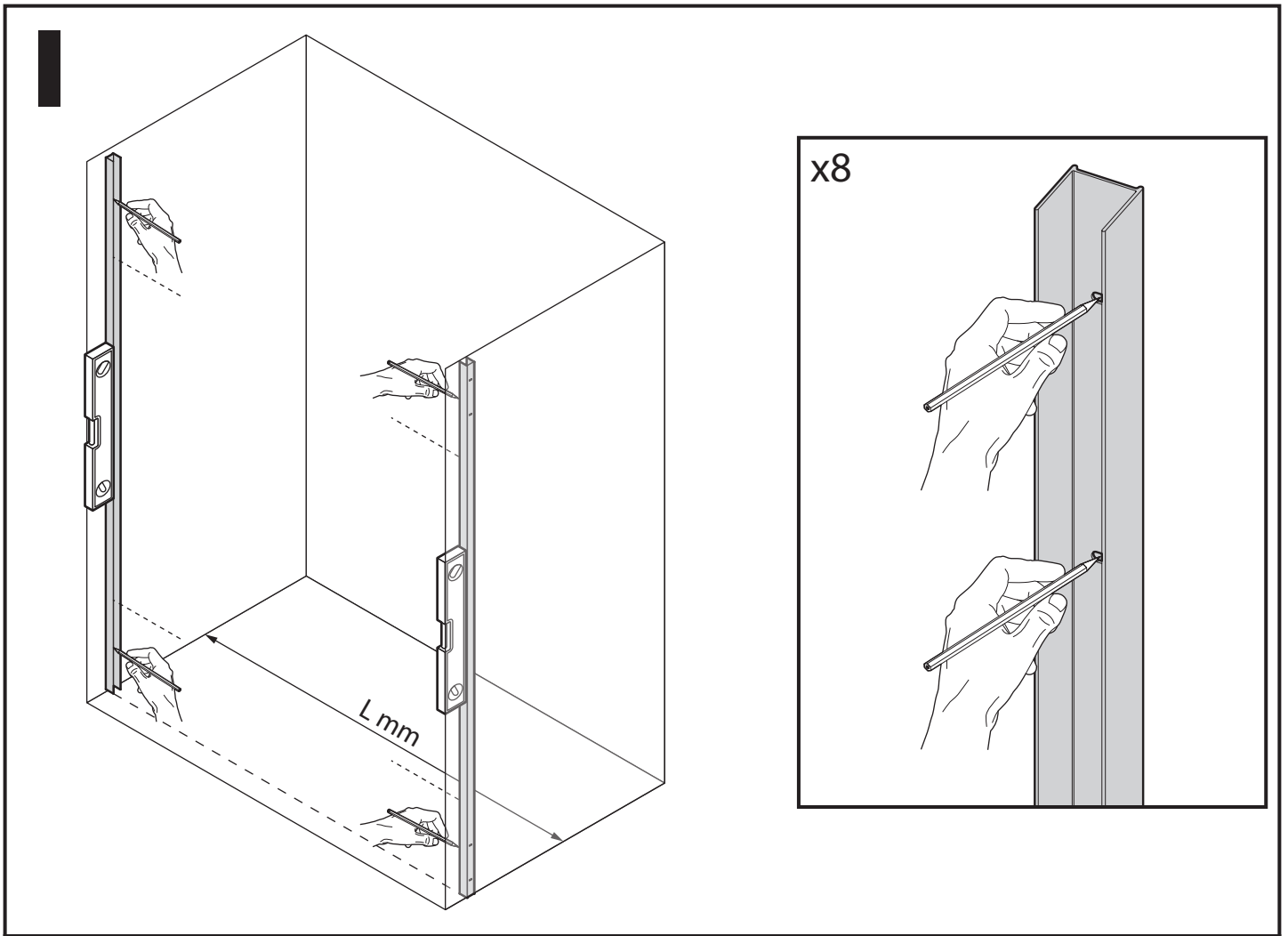
Pag. 2



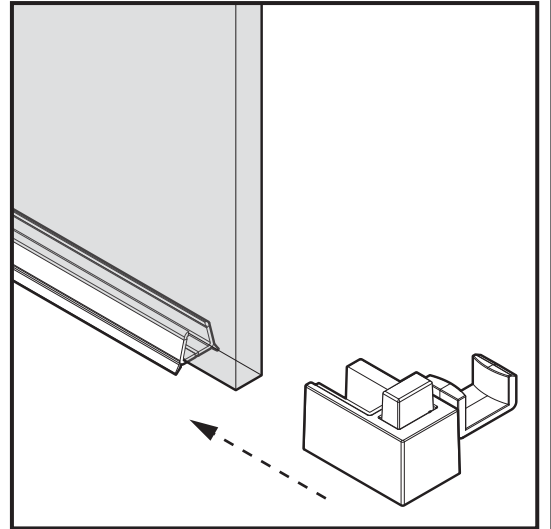
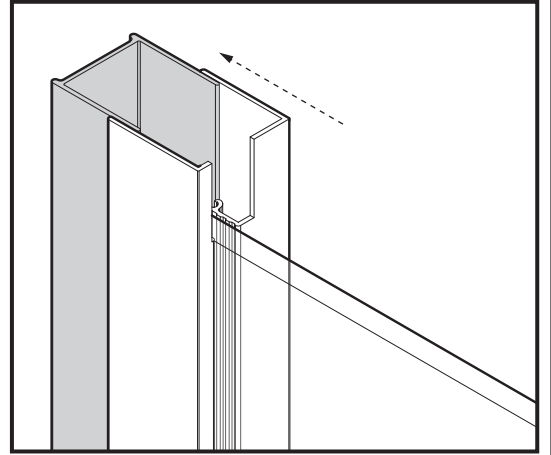
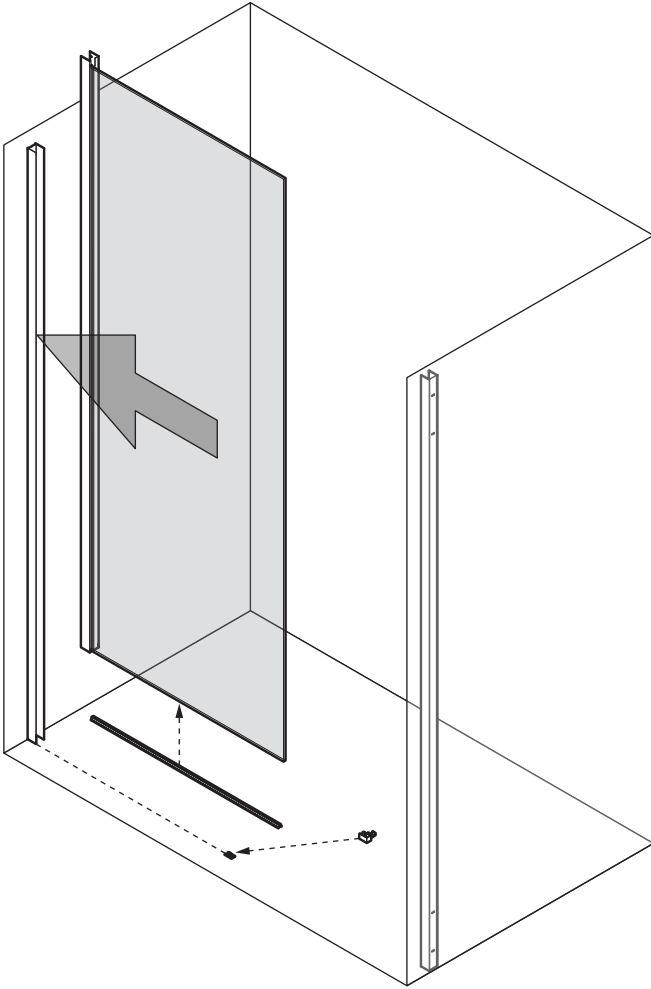
Pag. 15

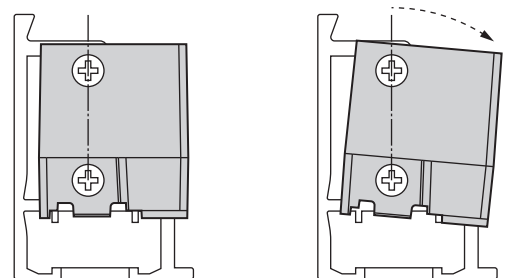
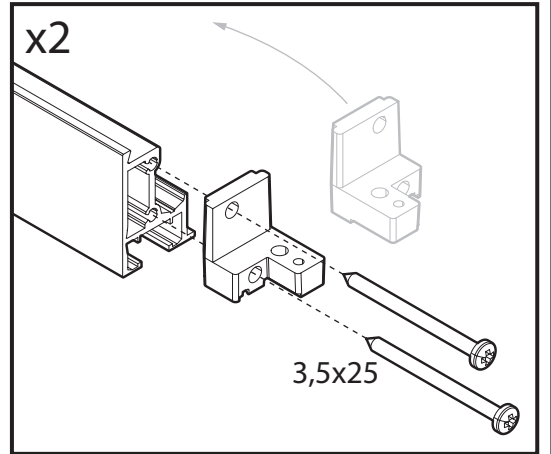
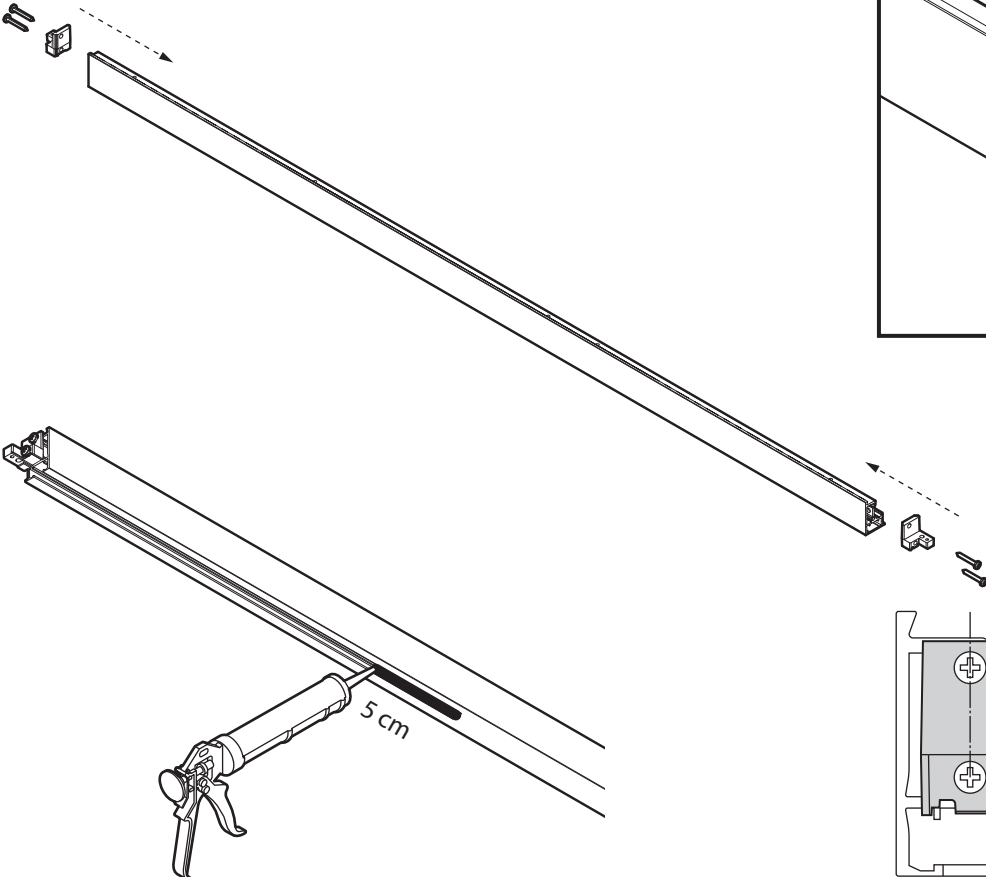
2P97	L=97-101 cm
2P107	L=107-111 cm
2P117	L=117-121 cm
2P137	L=137-141 cm
2P147	L=147-151 cm
2P157	L=157-161 cm
2P167	L=167-171 cm
2P177	L=177-181 cm



# 3

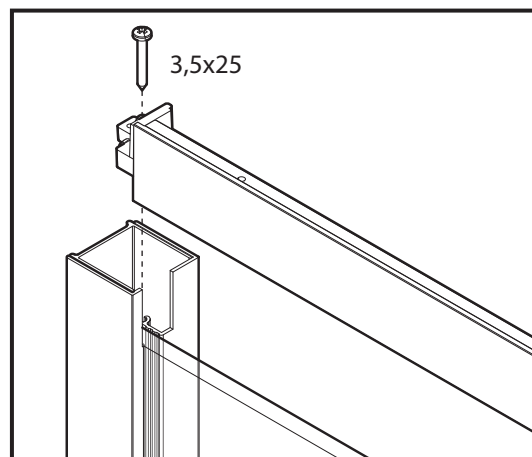
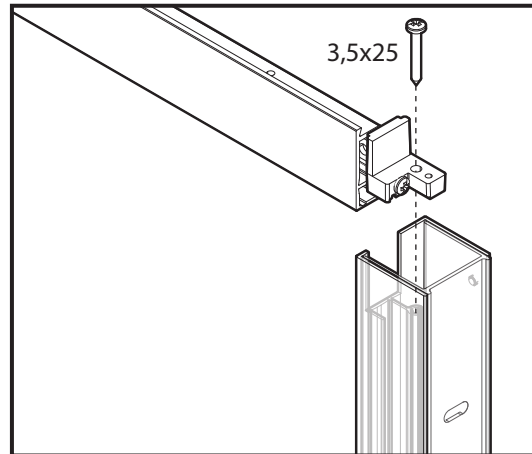
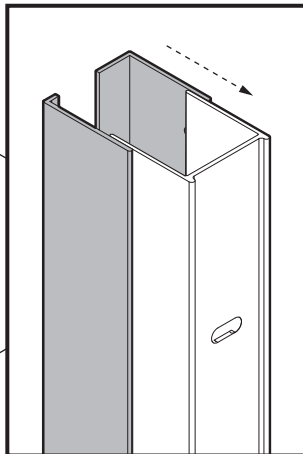
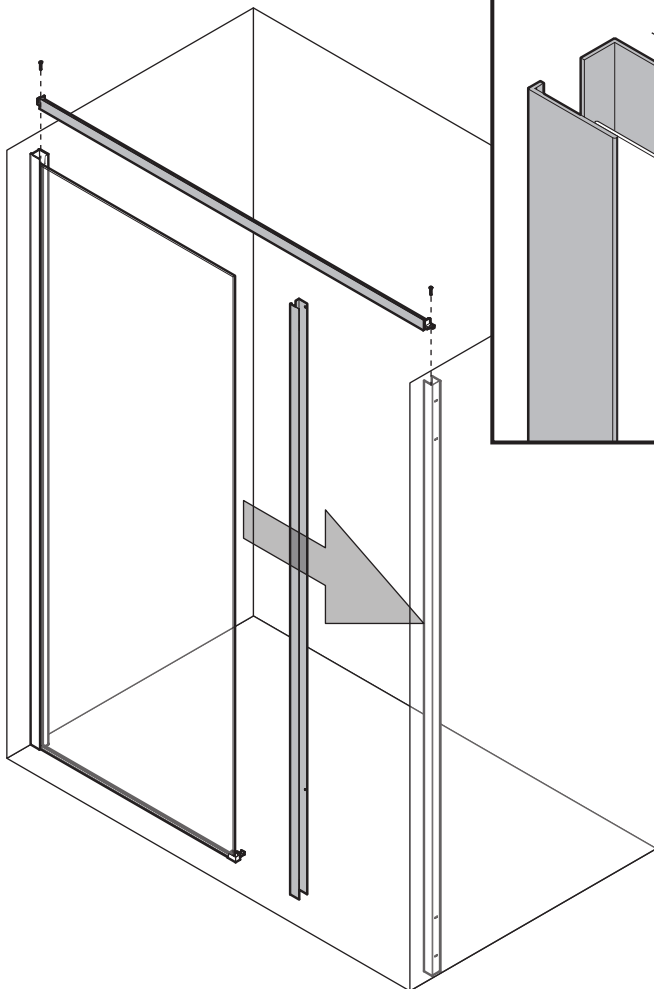


# 4

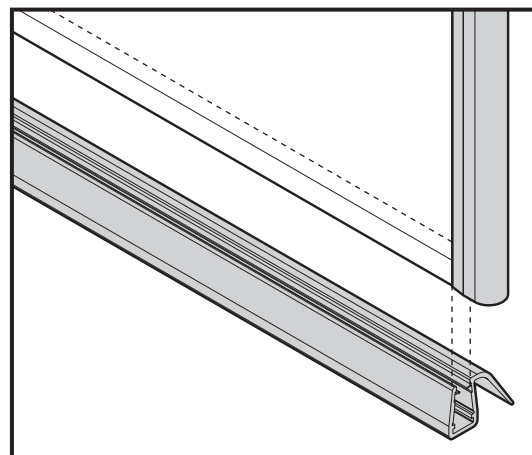
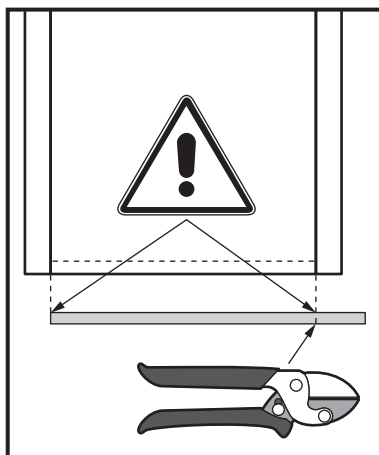
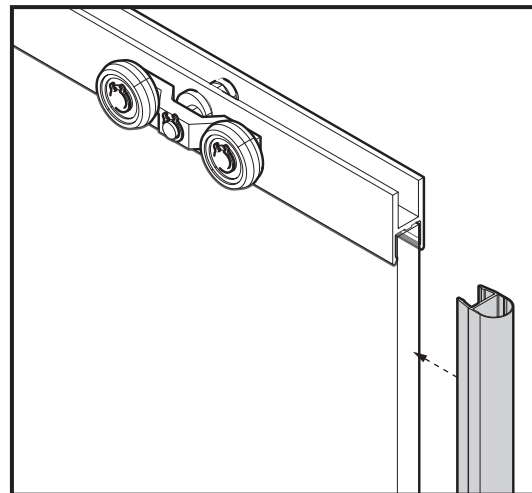
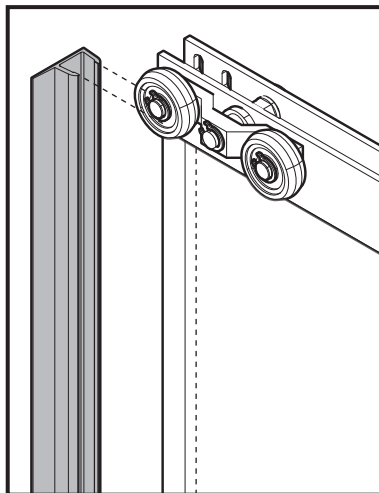
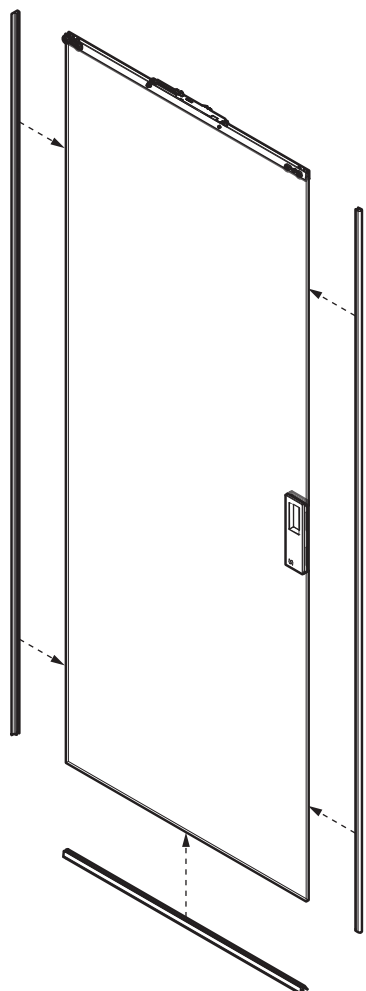


4

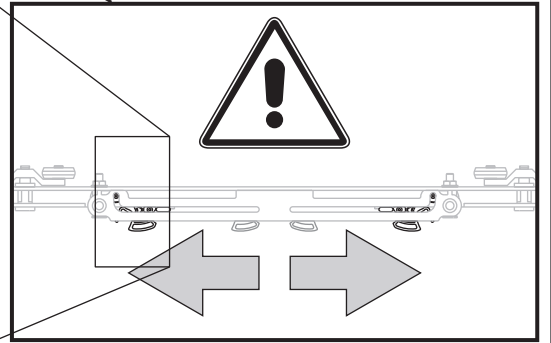
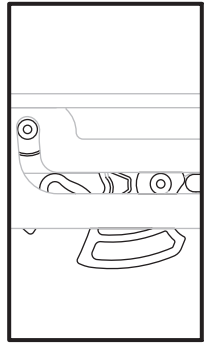
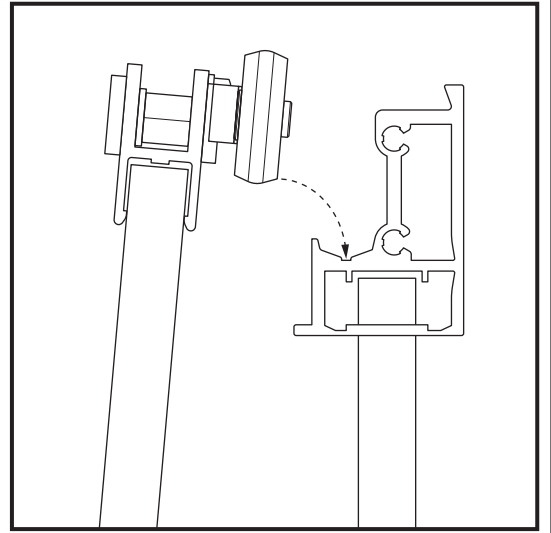
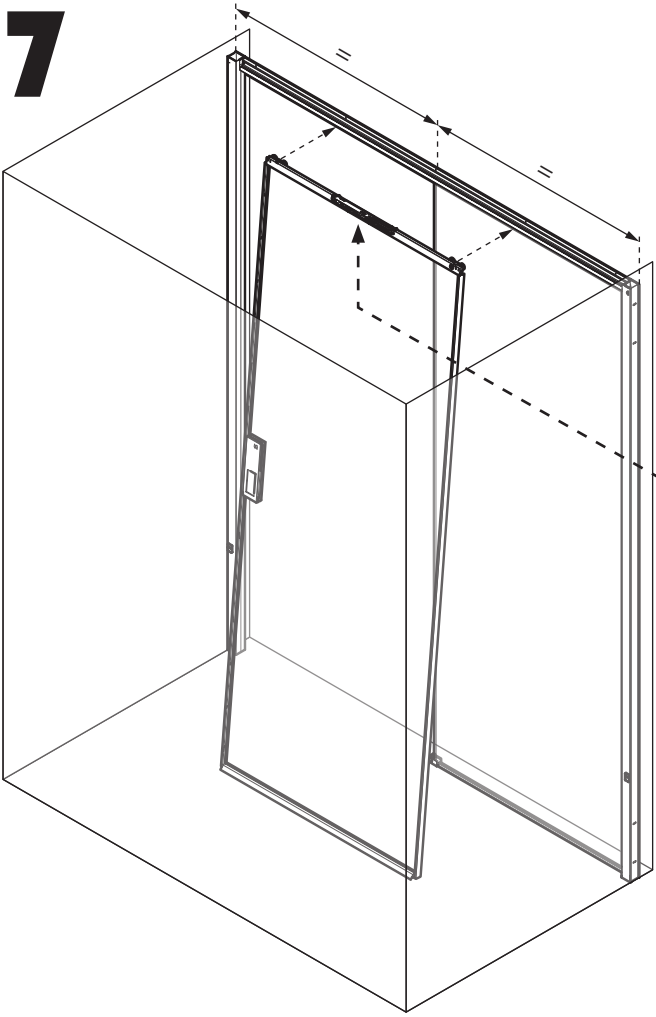
**5**



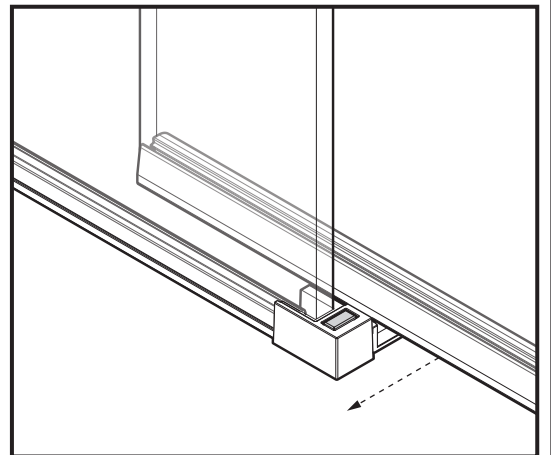
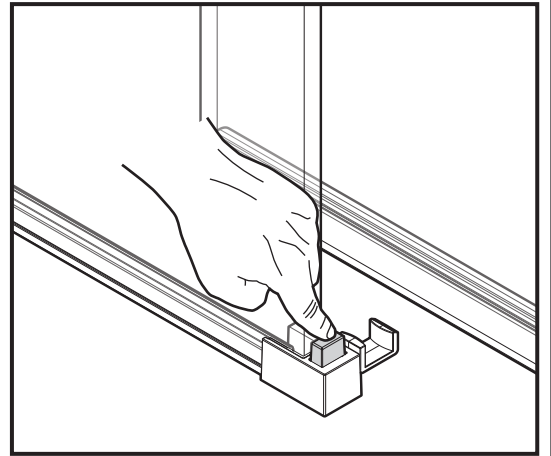
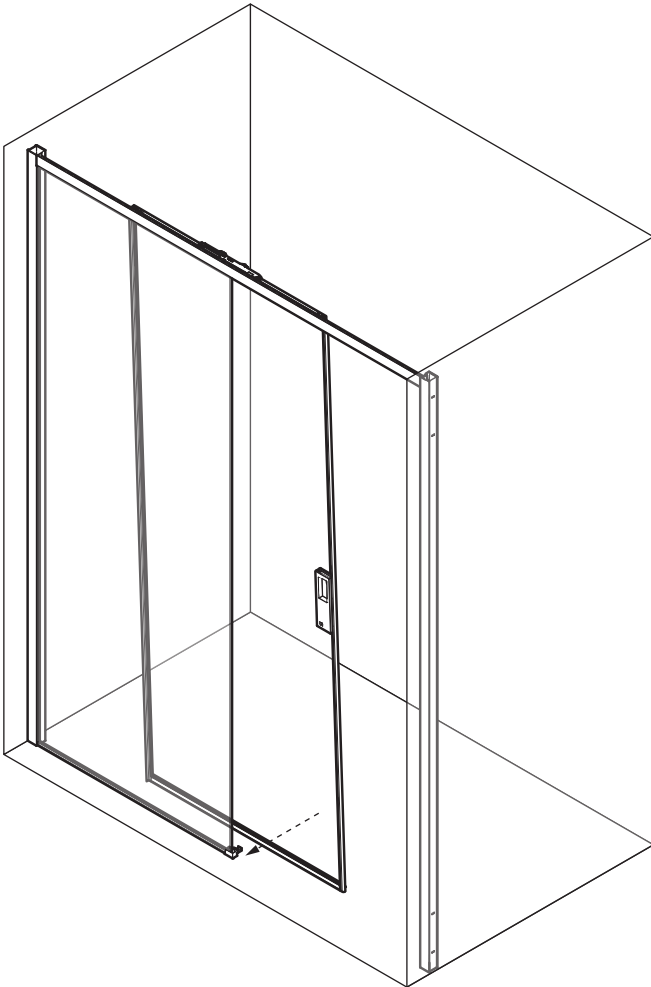
**6**



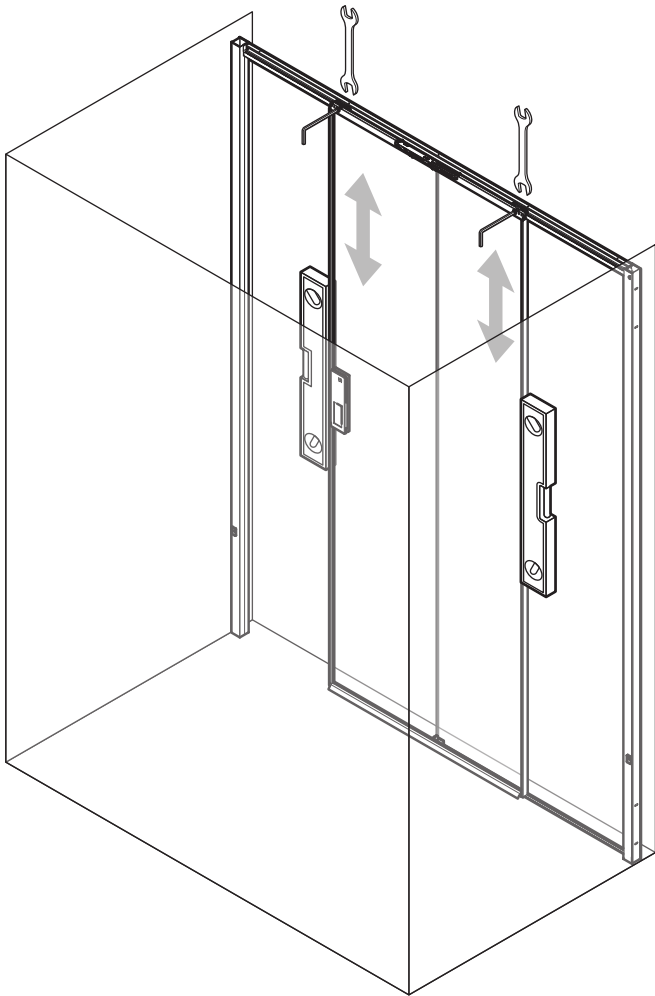
**7**



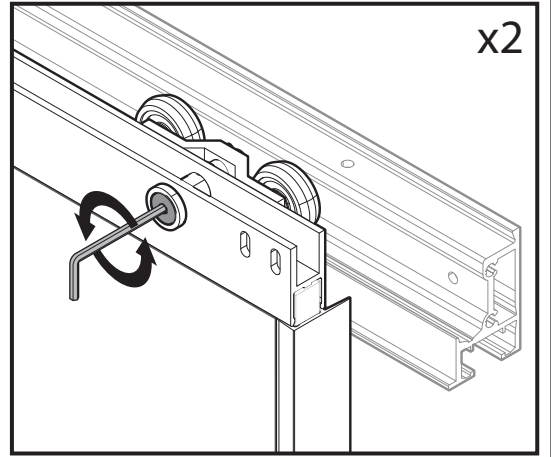
**8**



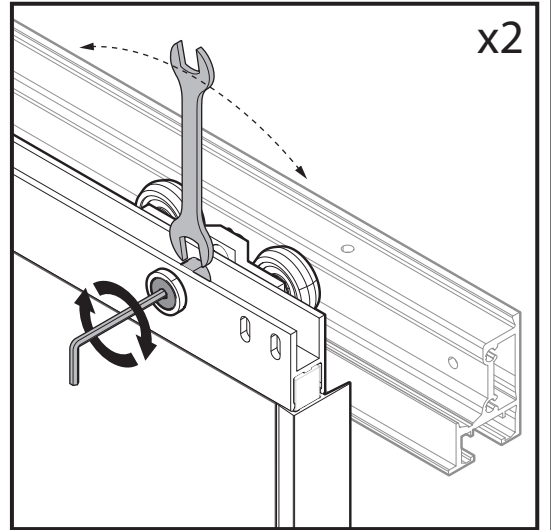
9



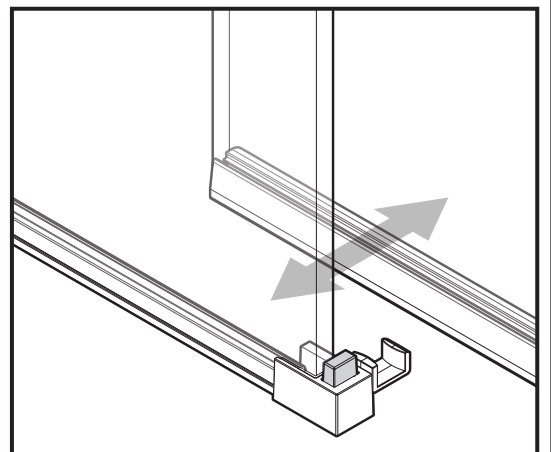
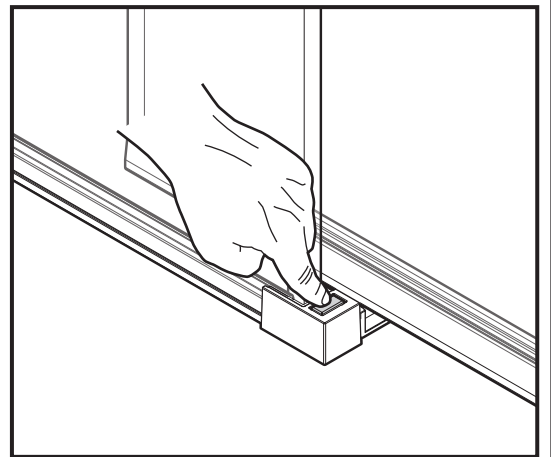
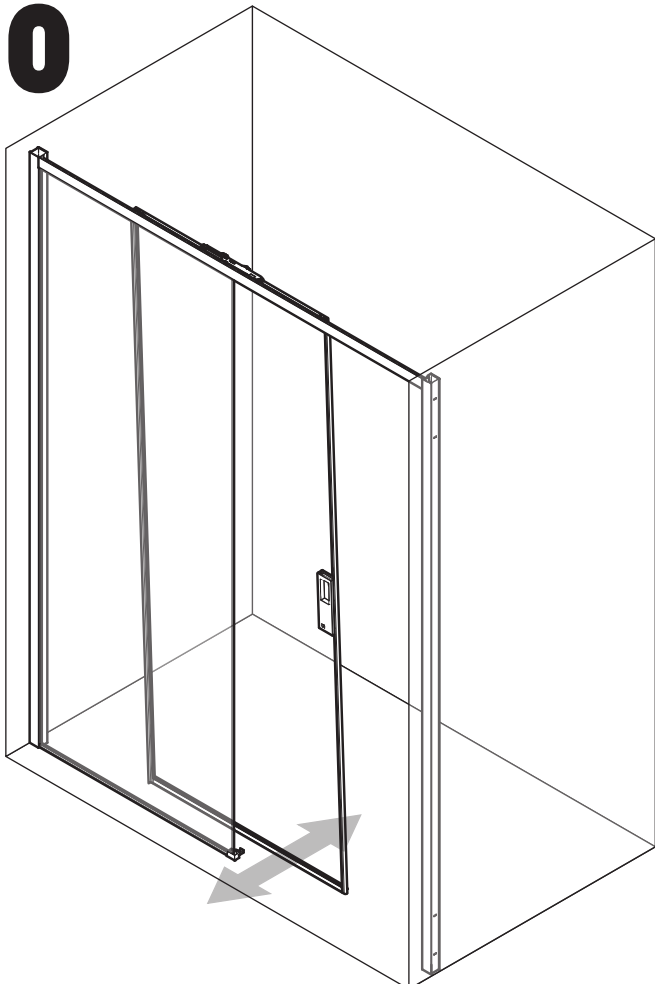
x2



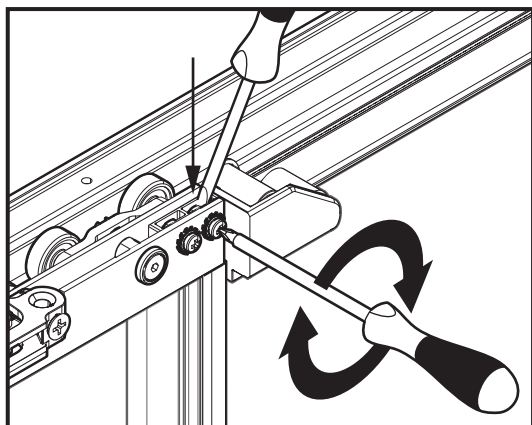
x2



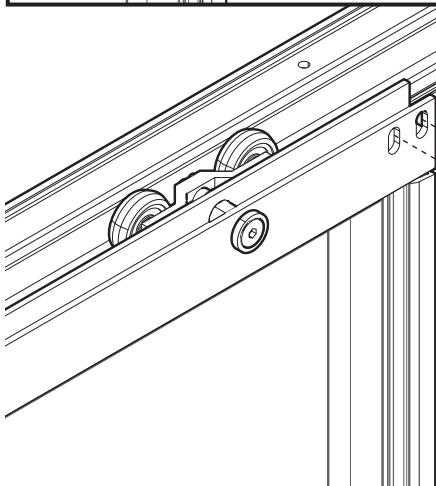
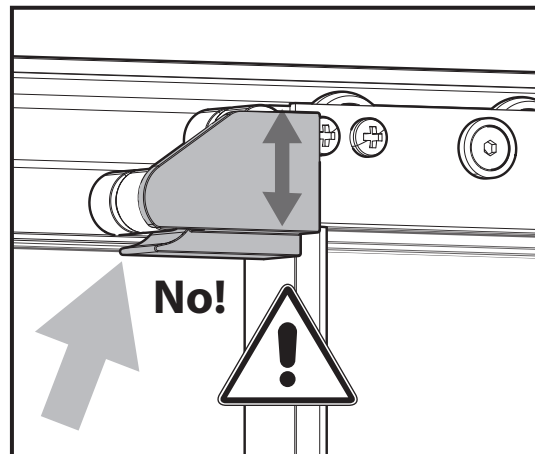
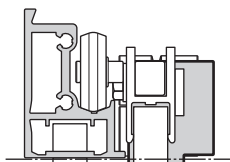
10



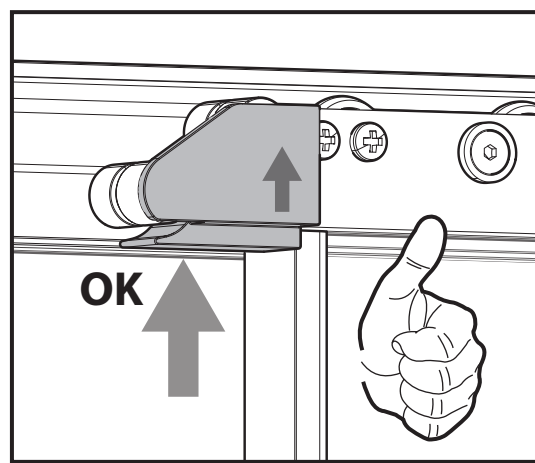
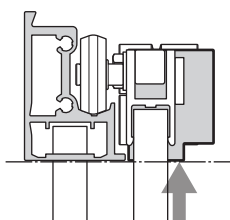
**11**



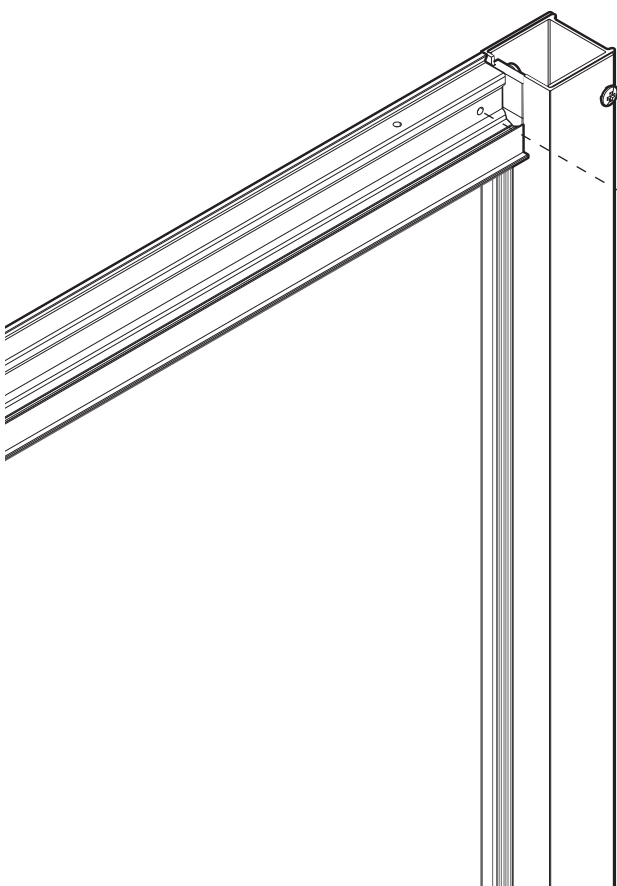
M3 x2



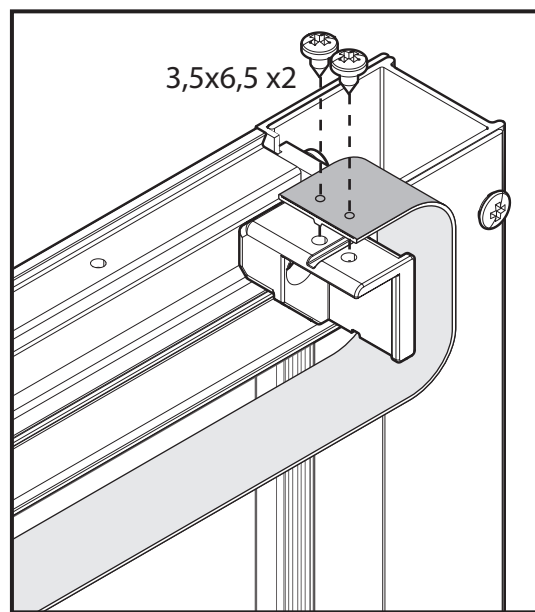
M3x10 x2



**12**

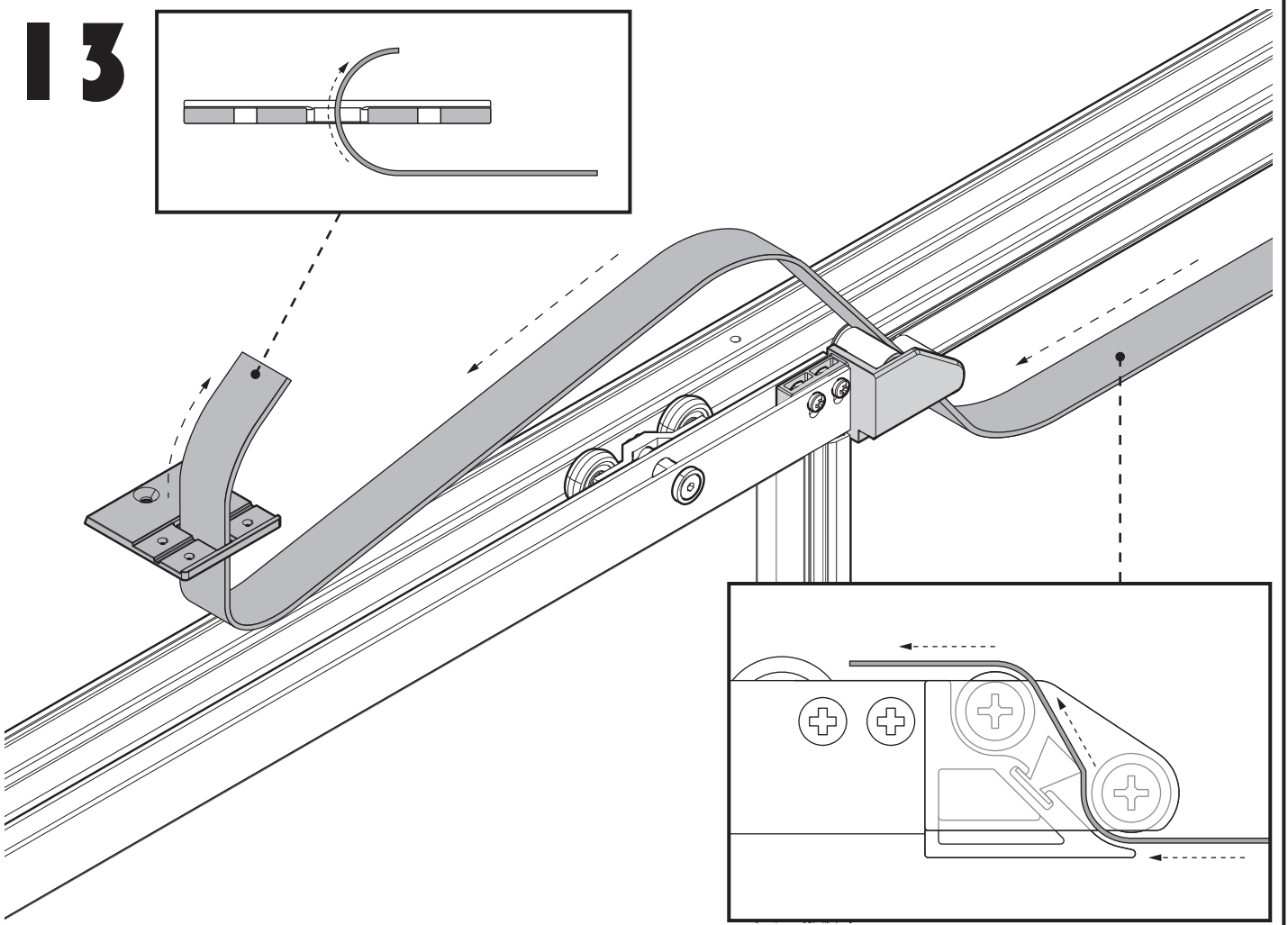
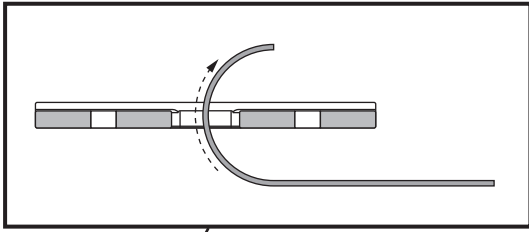


3,5x13 x1



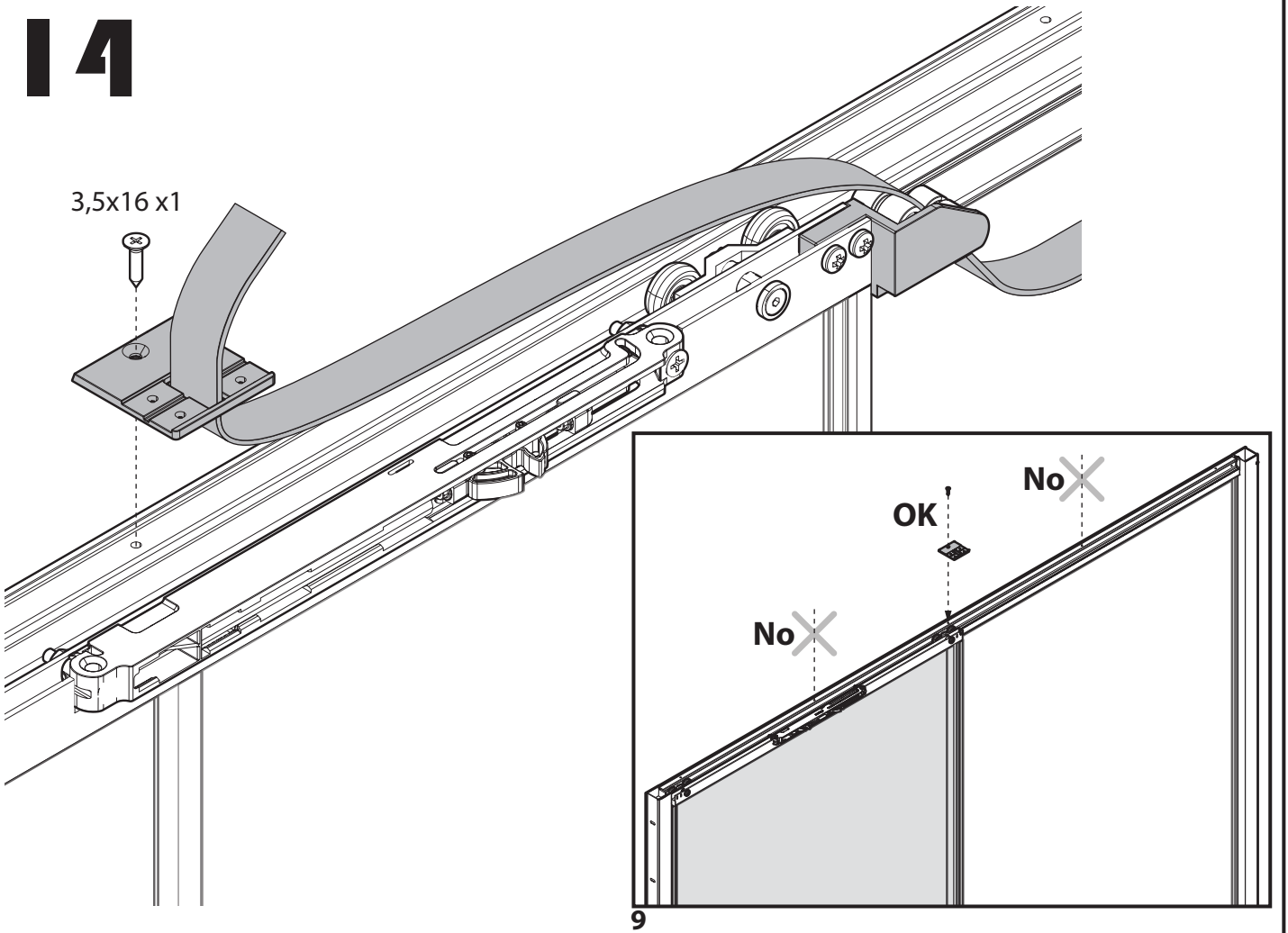


# 13

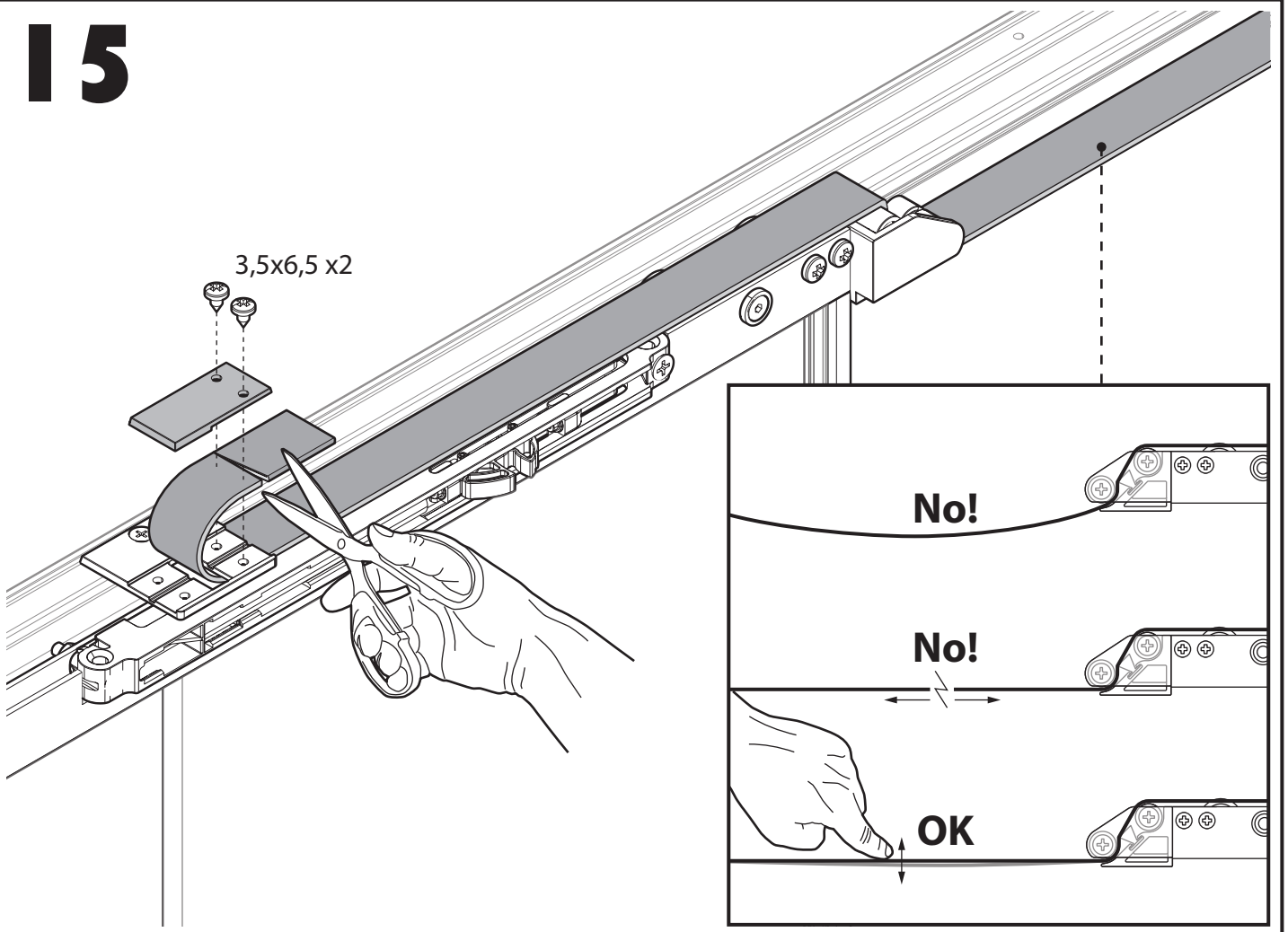


# 14

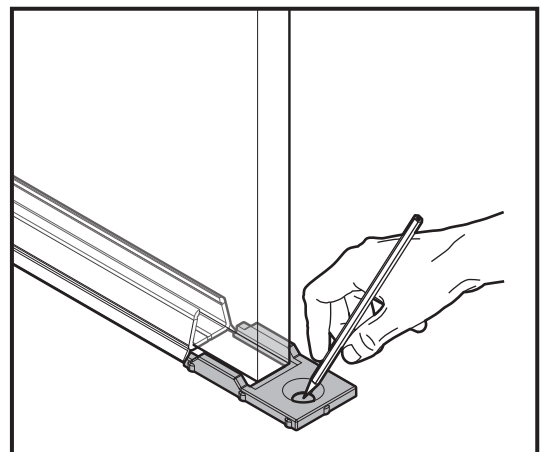
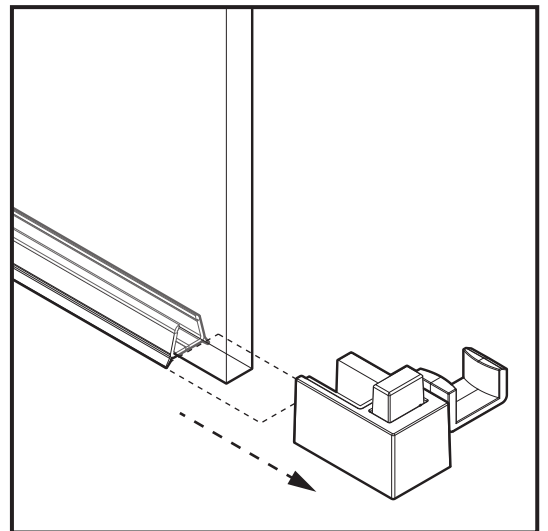
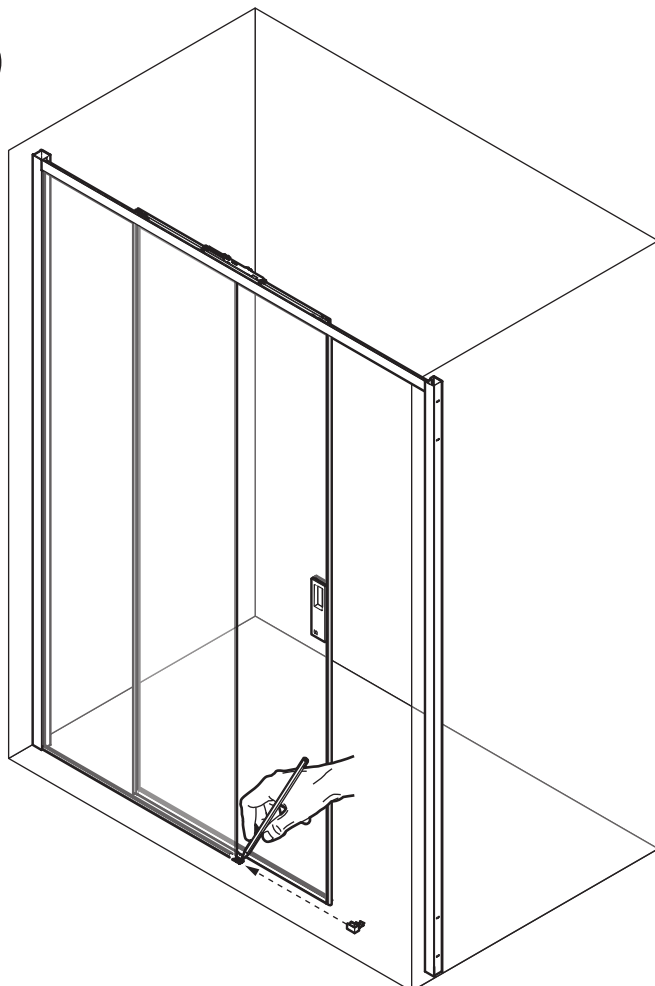
3,5x16 x1



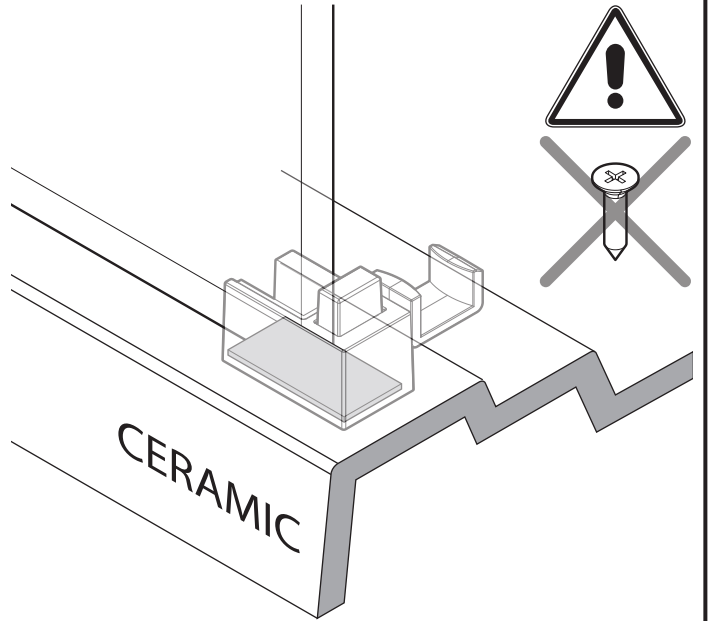
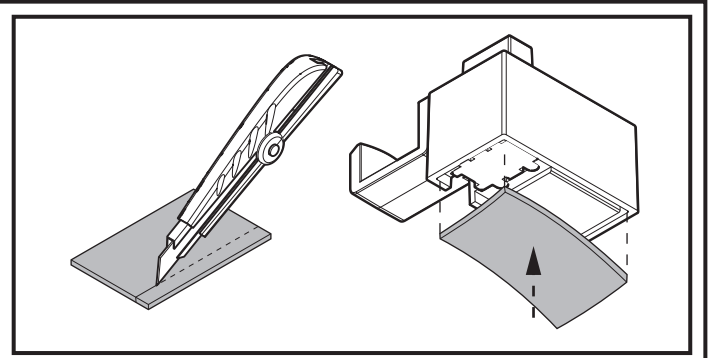
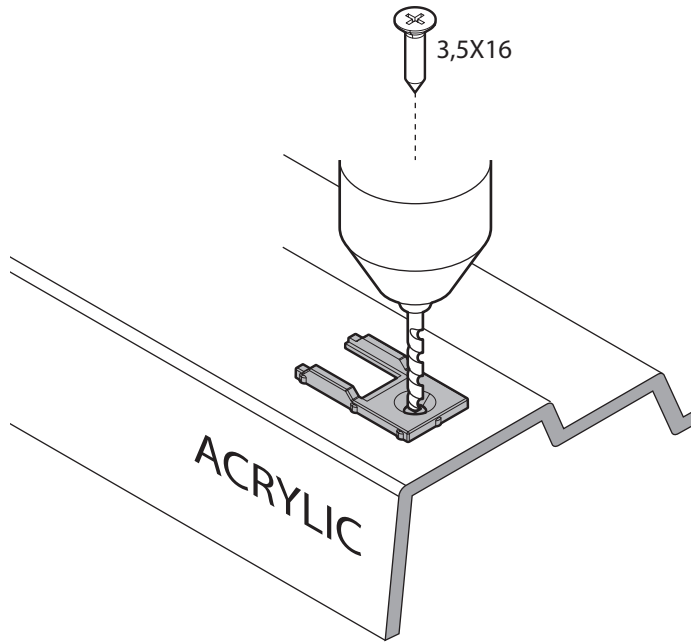
# 15



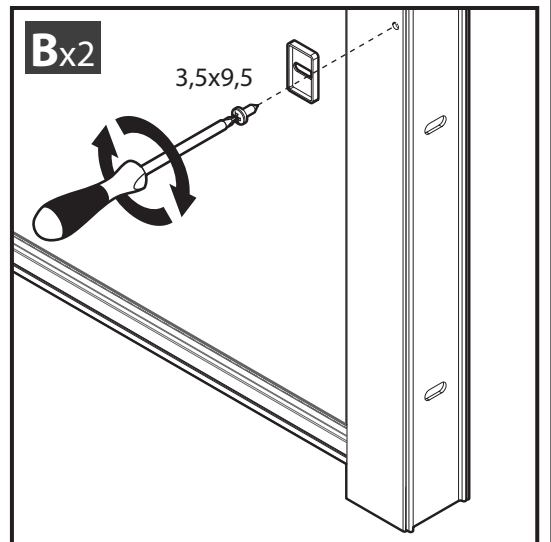
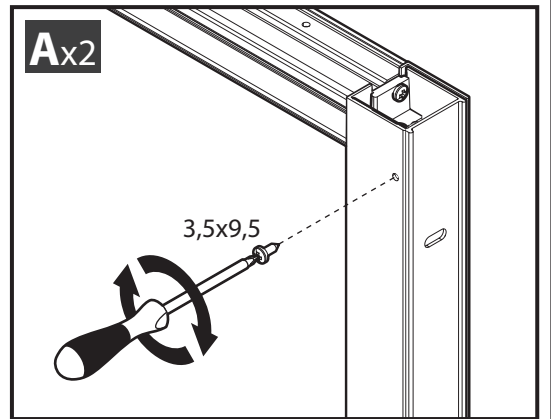
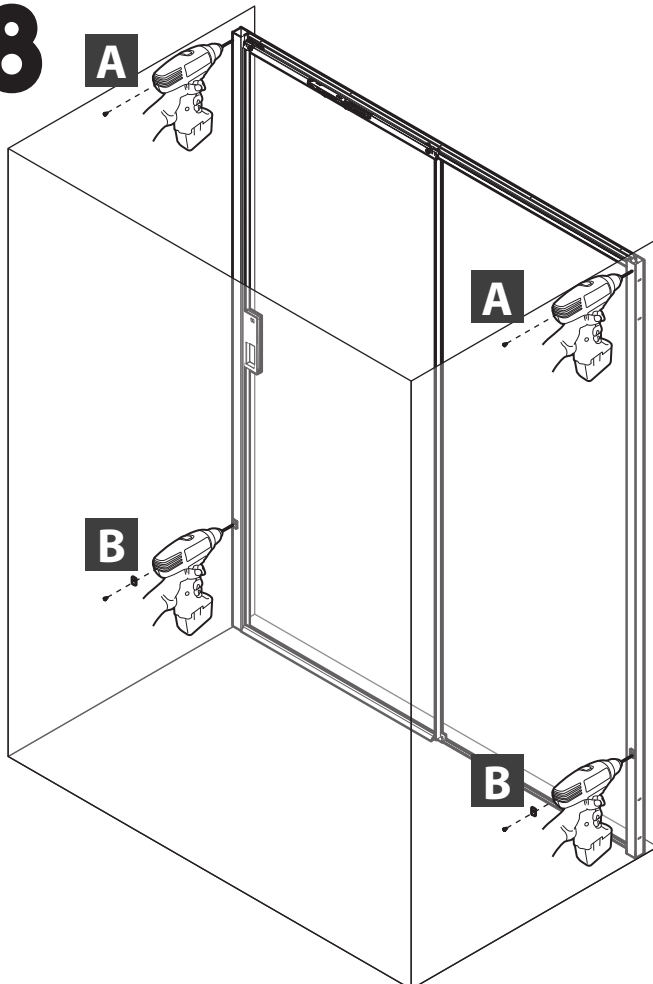
# 16



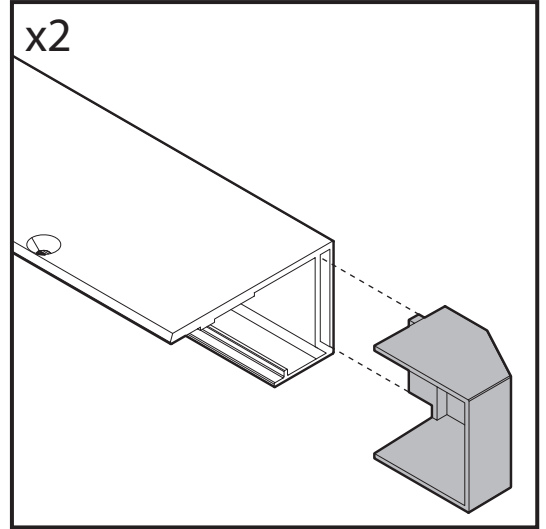
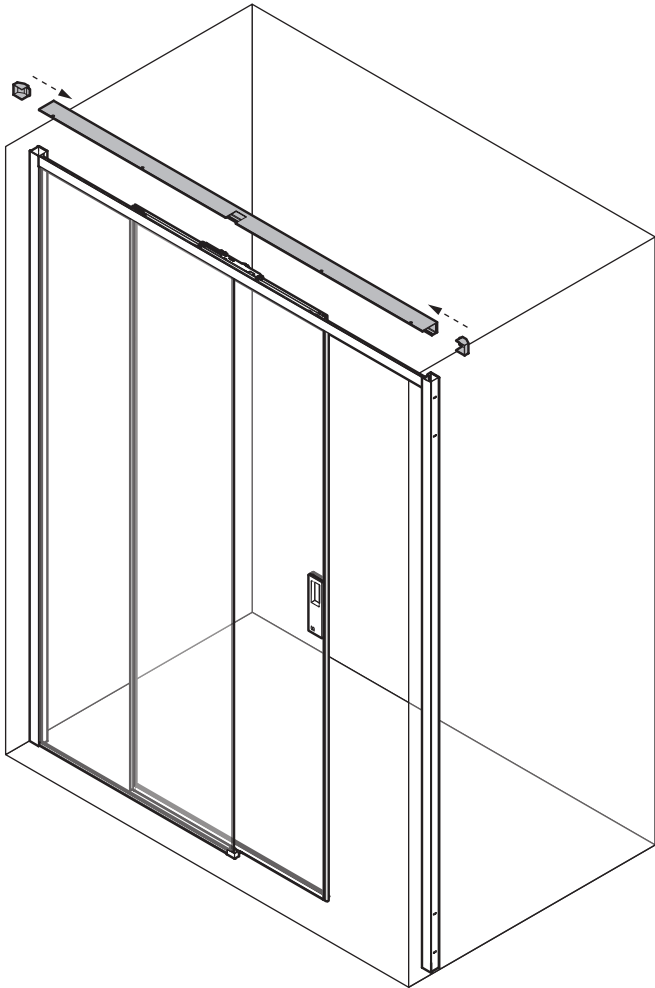
# 17



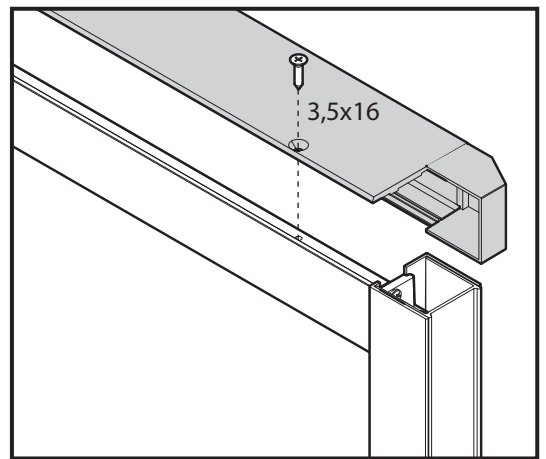
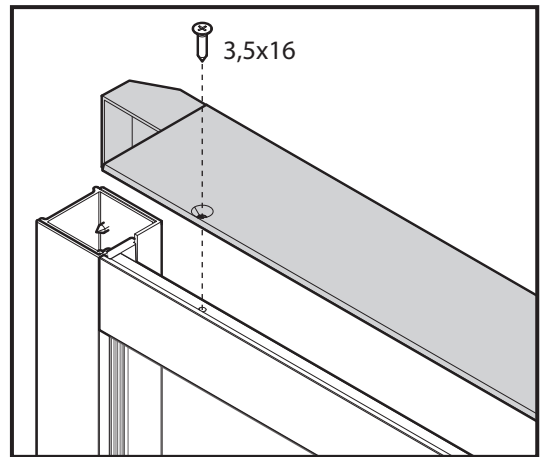
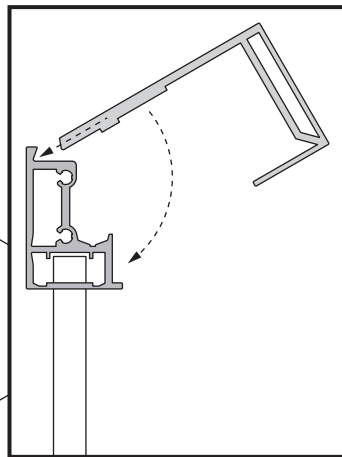
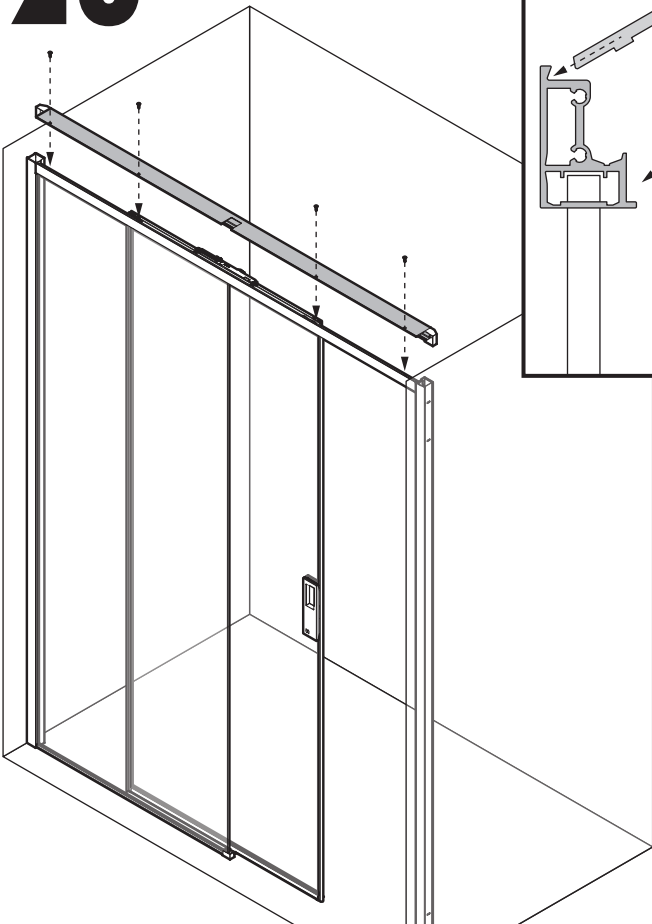
# 18



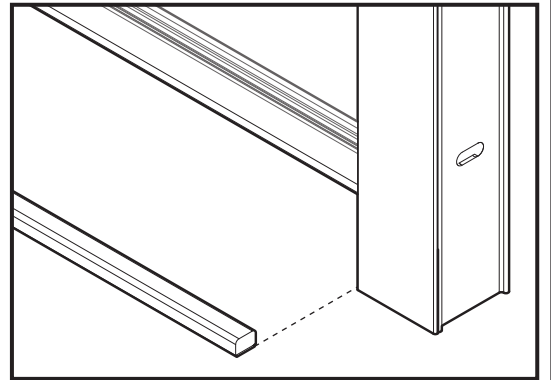
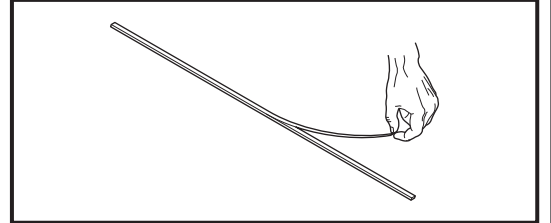
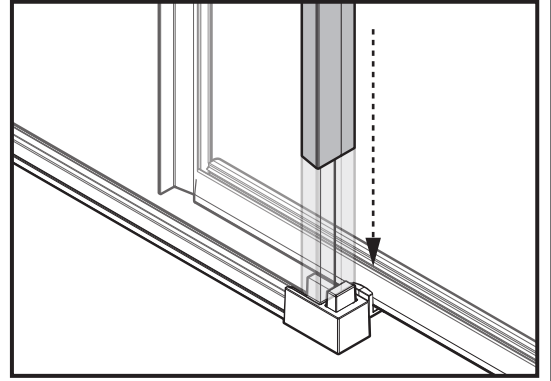
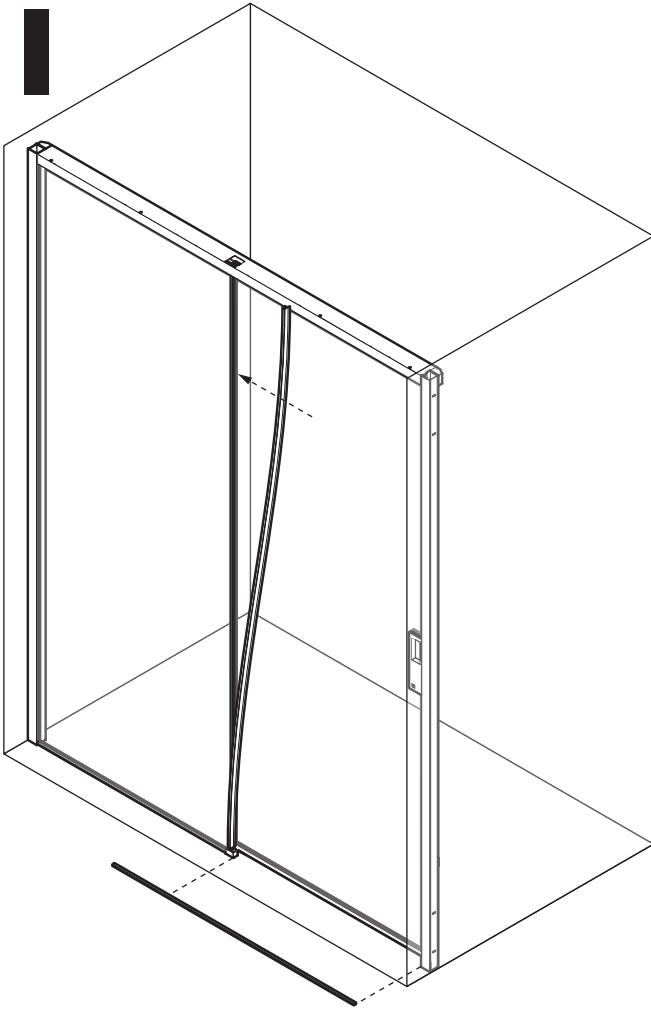
19



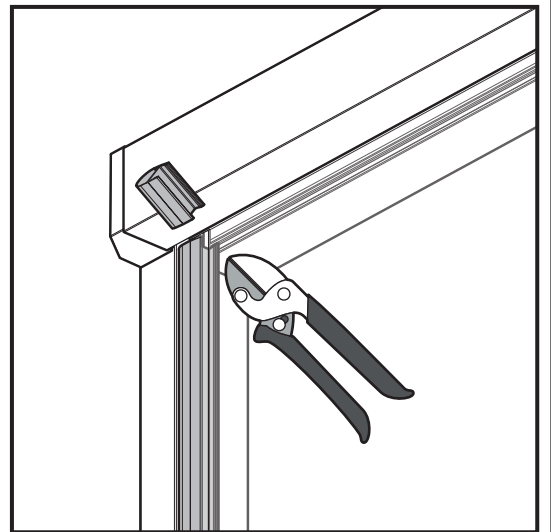
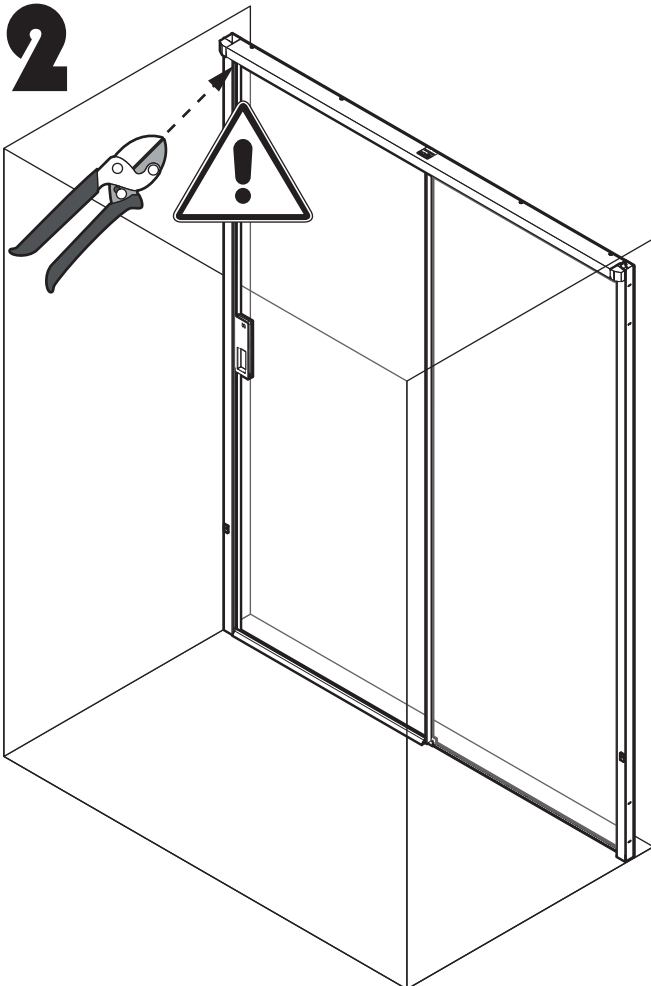
20



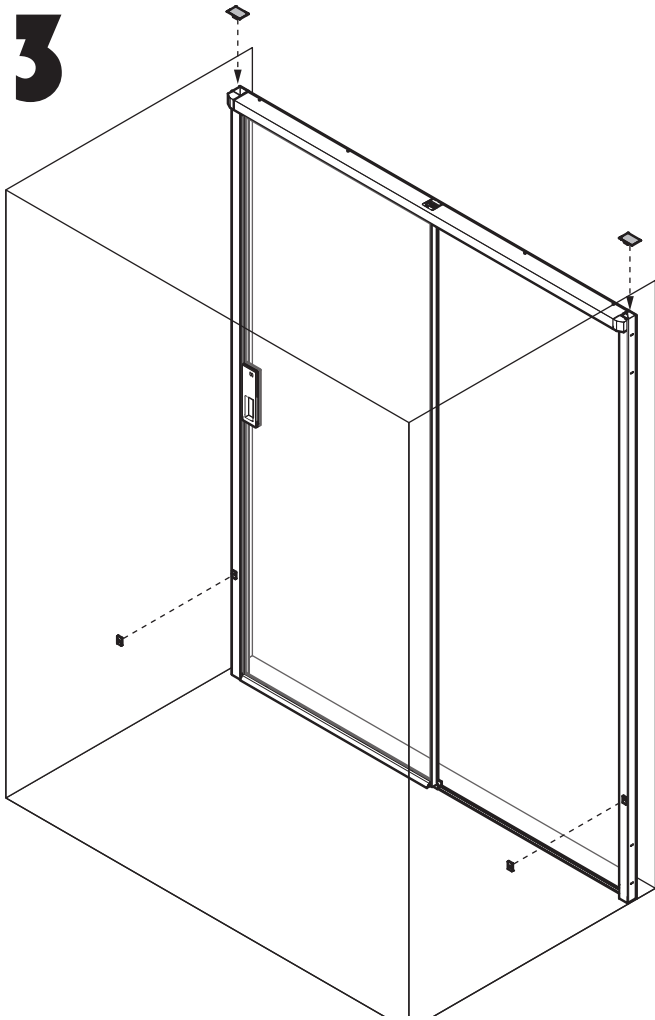
# 21



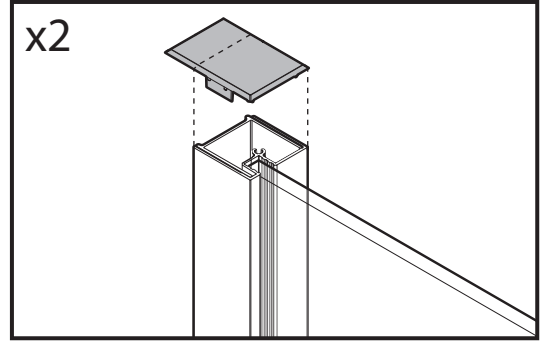
# 22



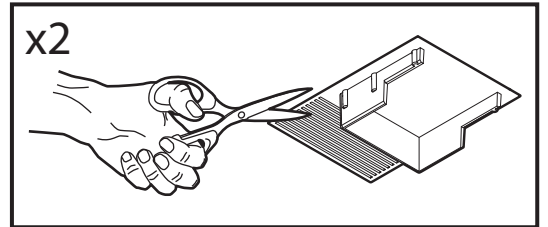
# 23



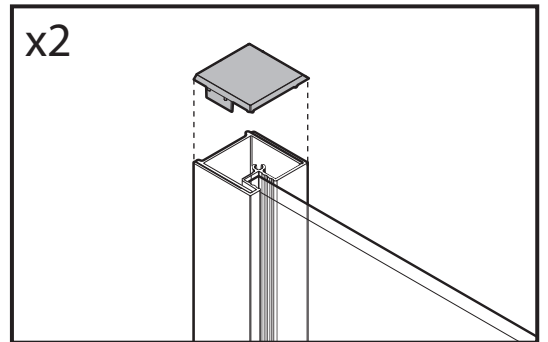
x2



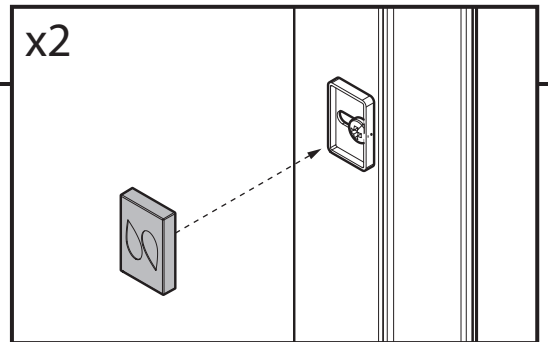
x2



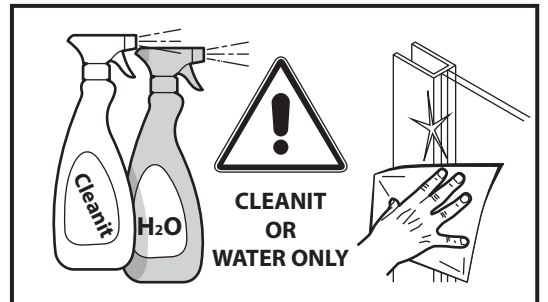
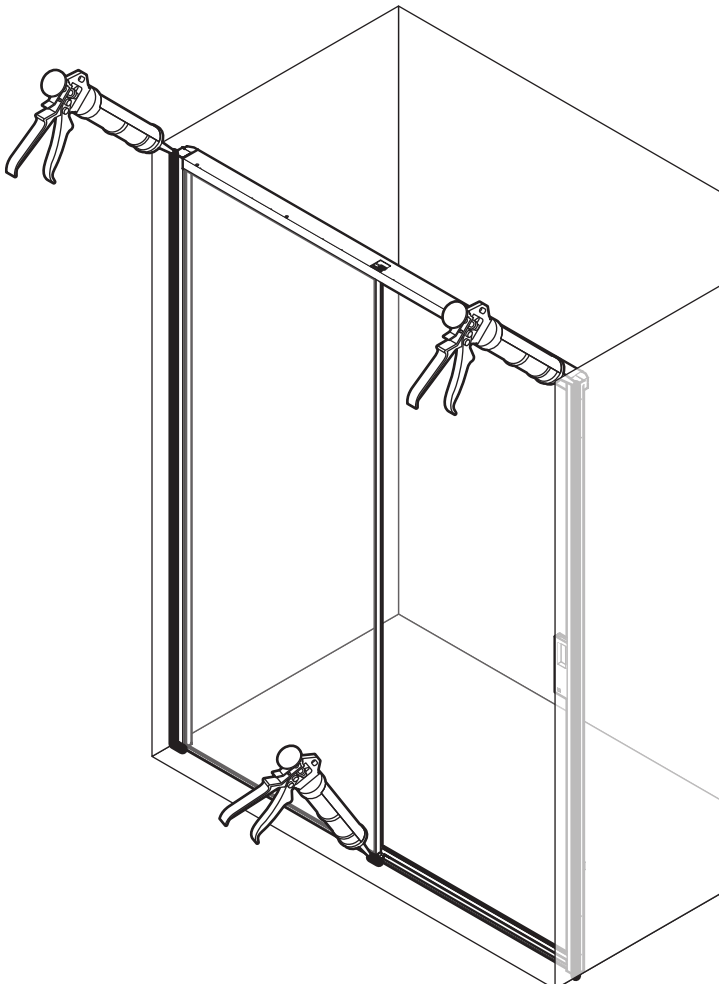
x2

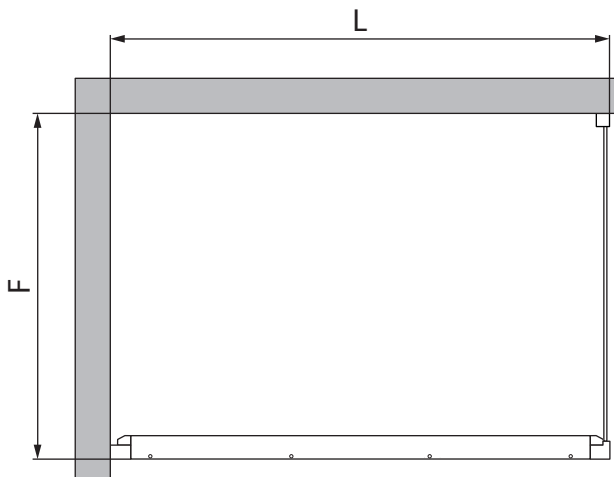
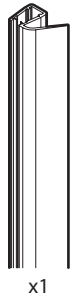
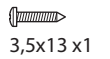
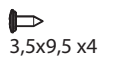
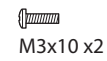
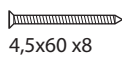
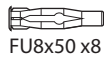
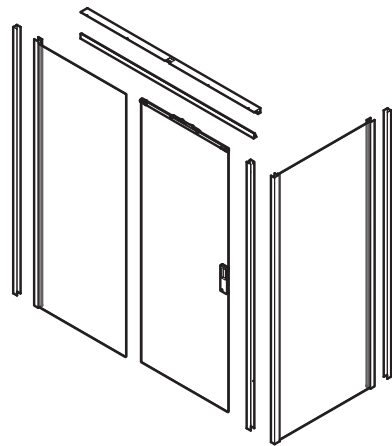
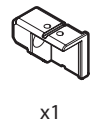
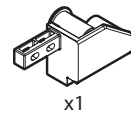
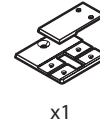
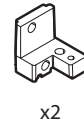
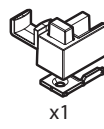
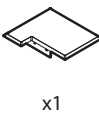
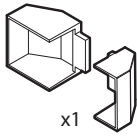
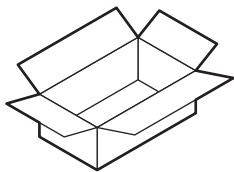
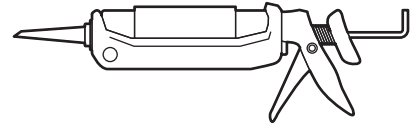
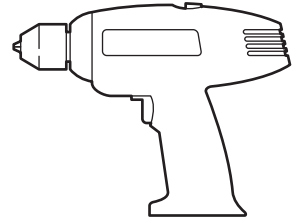
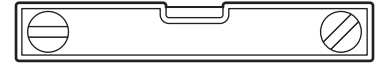
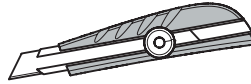
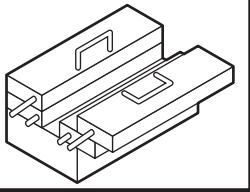


x2



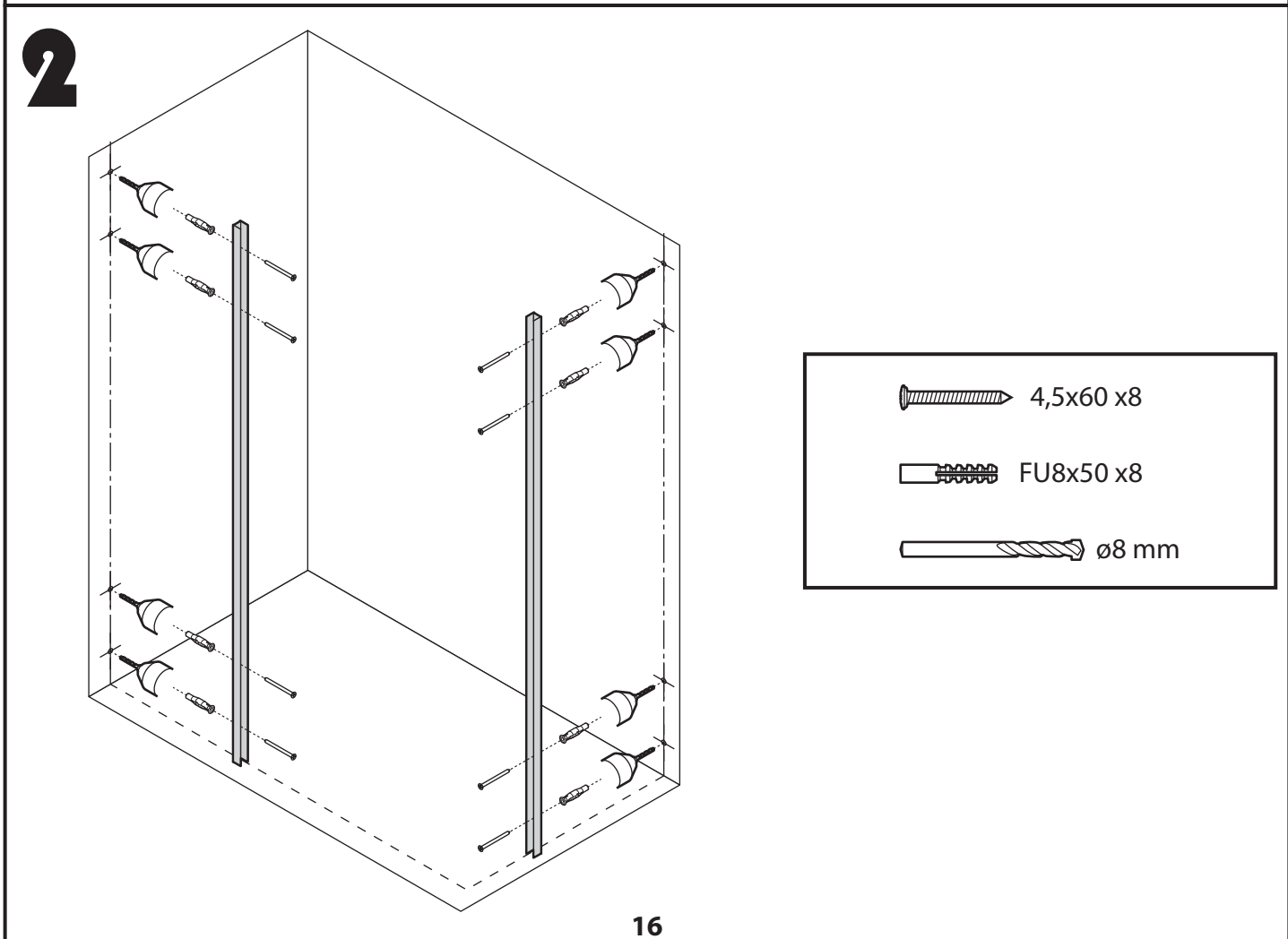
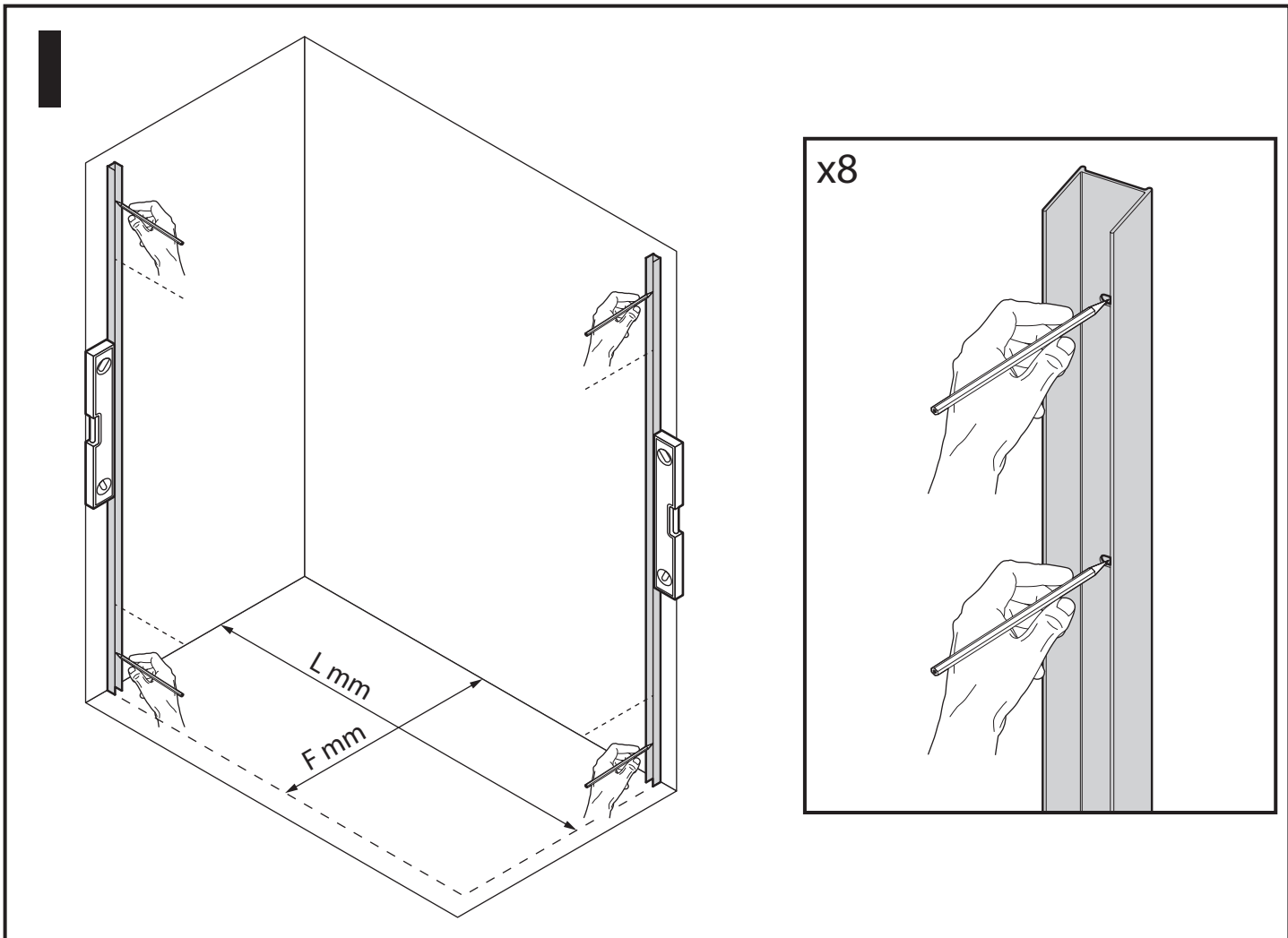
# 24





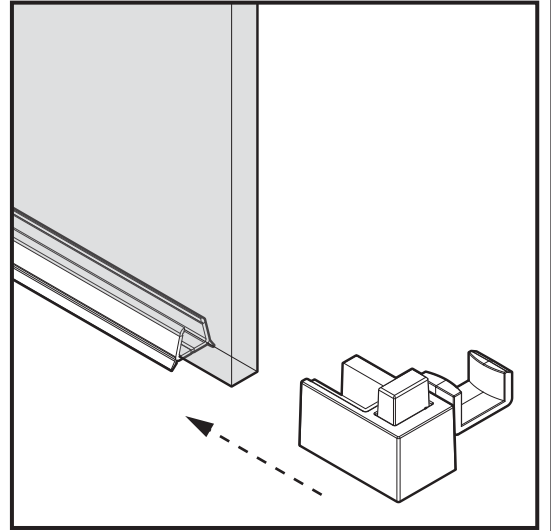
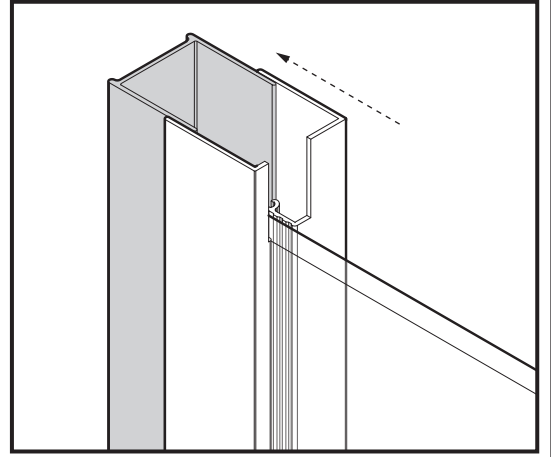
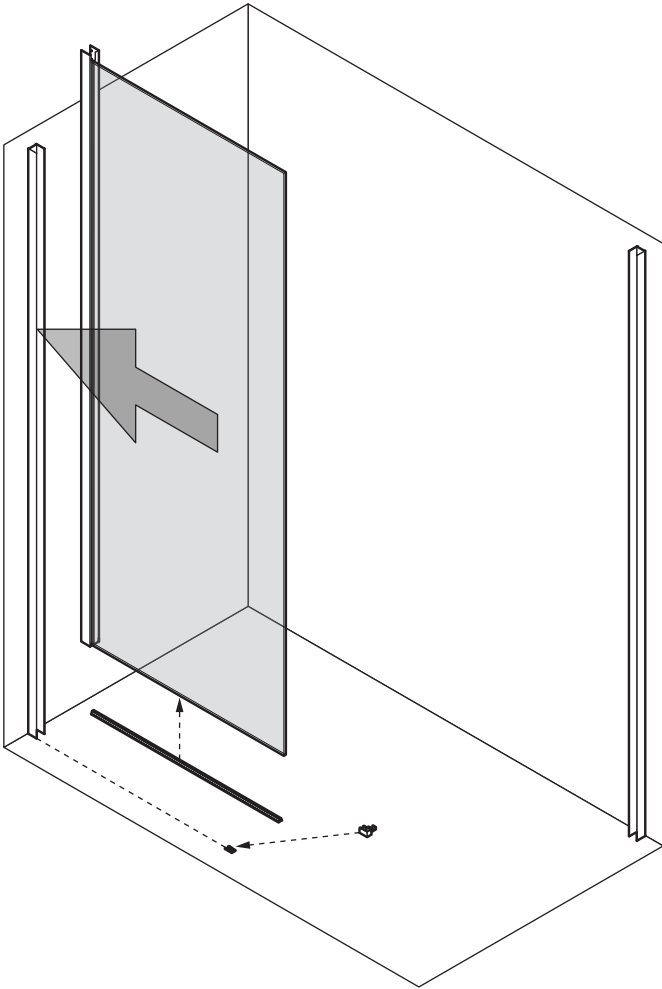
2P97	L=97-101 cm
2P107	L=107-111 cm
2P117	L=117-121 cm
2P137	L=137-141 cm
2P147	L=147-151 cm
2P157	L=157-161 cm
2P167	L=167-171 cm
2P177	L=177-181 cm

F67	F=67-69 cm
F69	F=69-71 cm
F75	F=75-77 cm
F77	F=77-79 cm
F79	F=79-81 cm
F85	F=85-87 cm
F87	F=87-89 cm
F89	F=89-91 cm
F95	F=95-97 cm
F97	F=97-99 cm
F99	F=99-101 cm
F115	F=115-117 cm
F117	F=117-119 cm

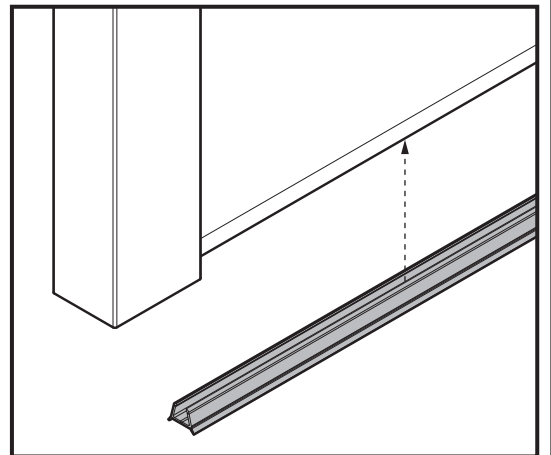
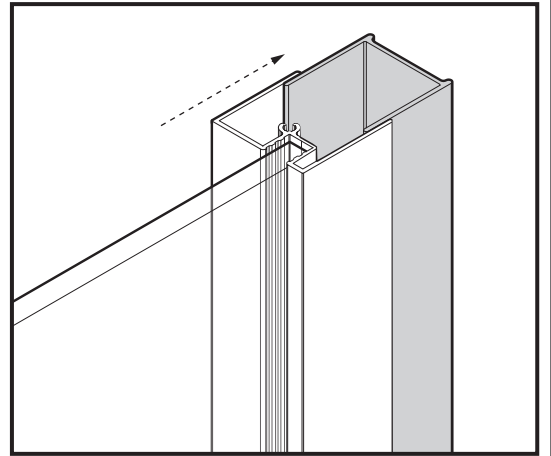
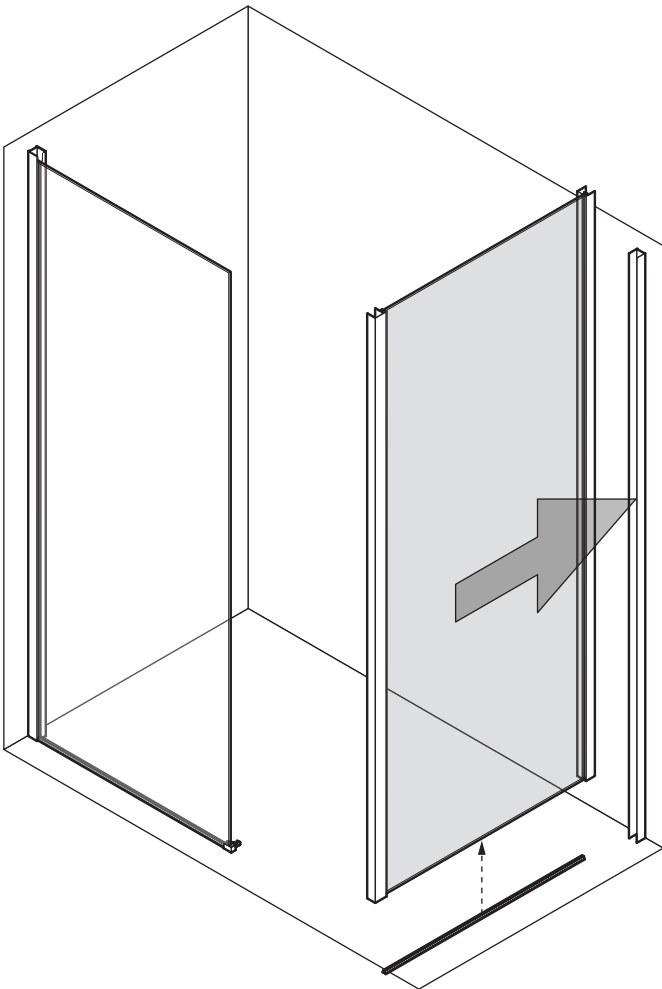




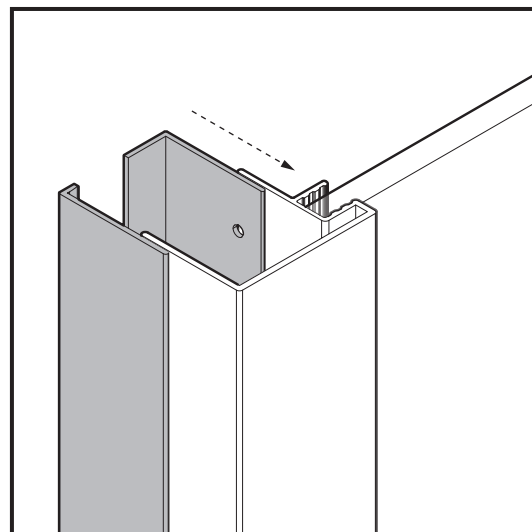
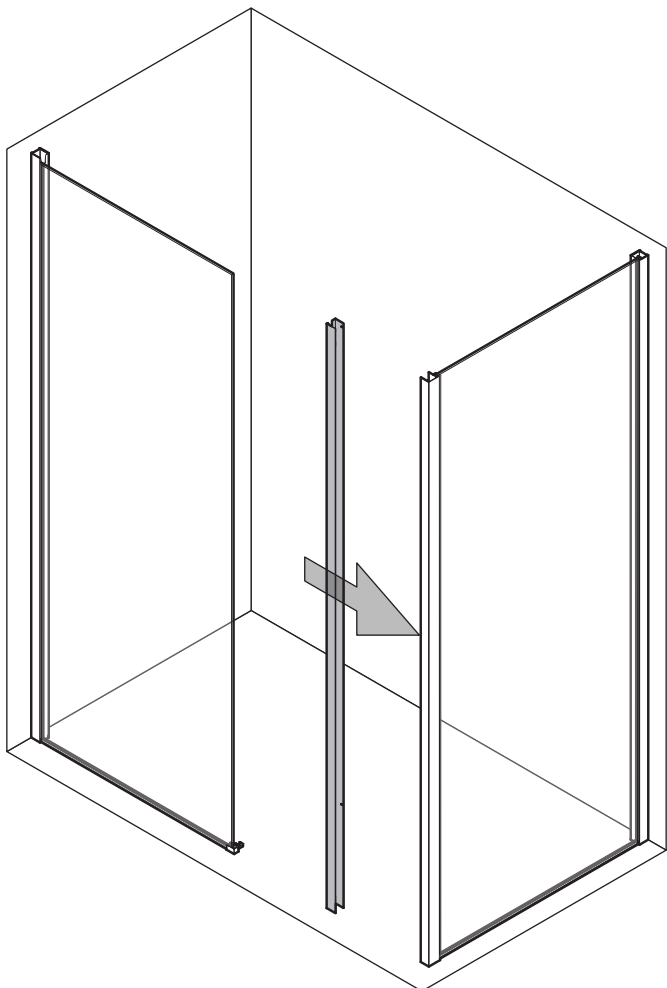
**3**



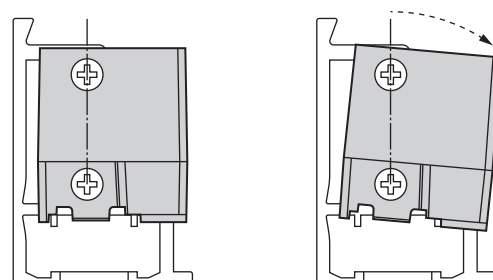
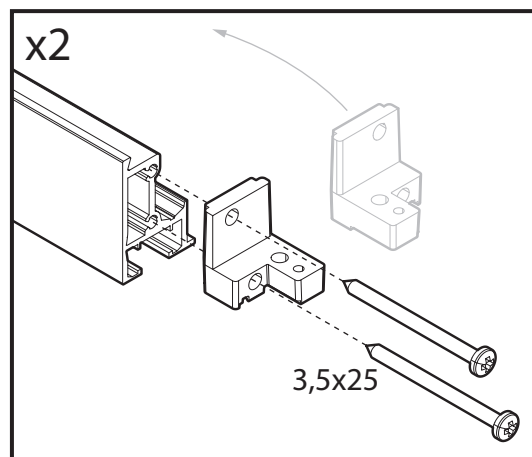
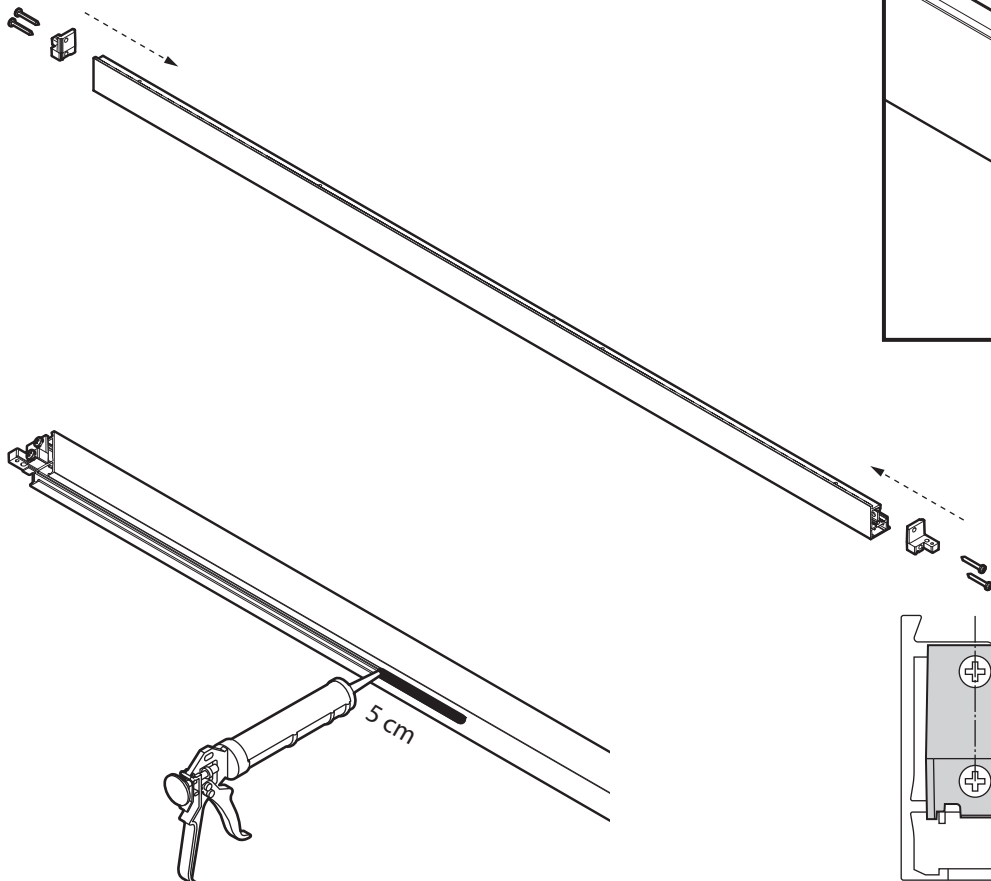
**4**



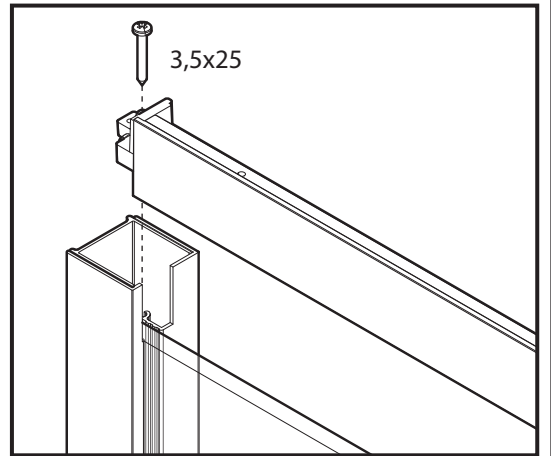
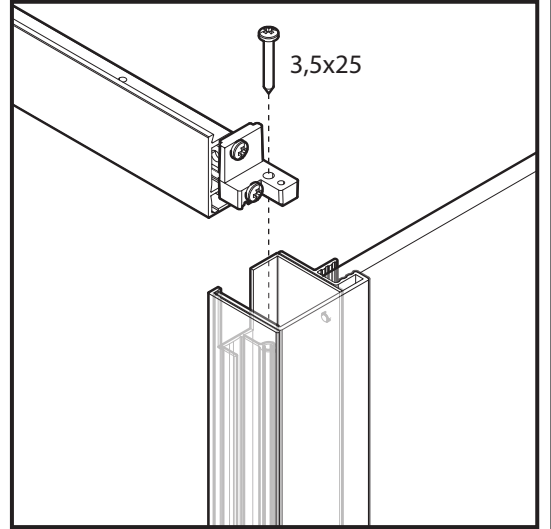
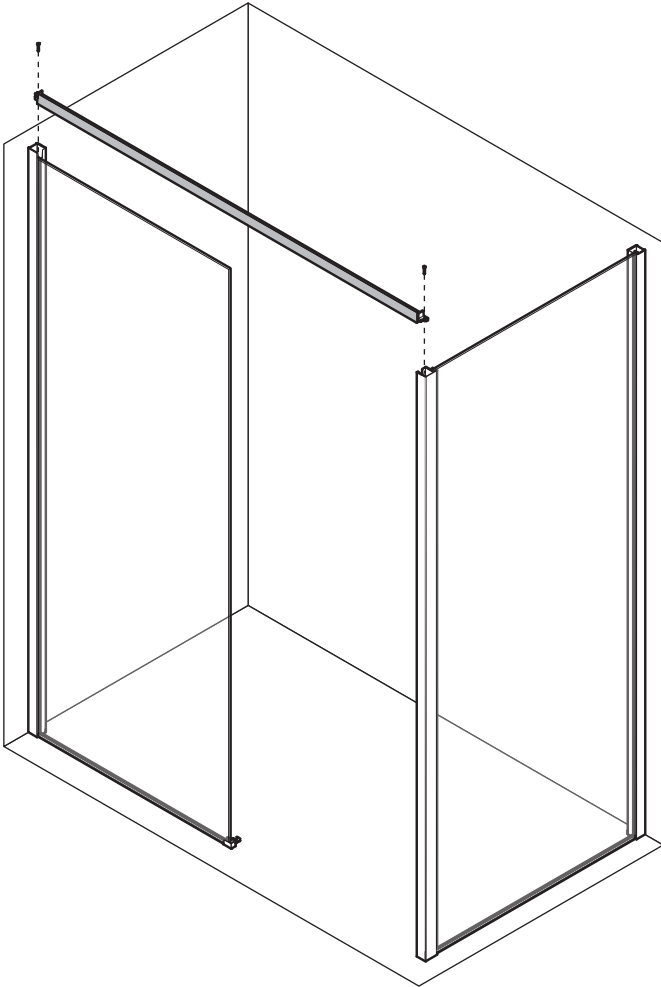
# 5



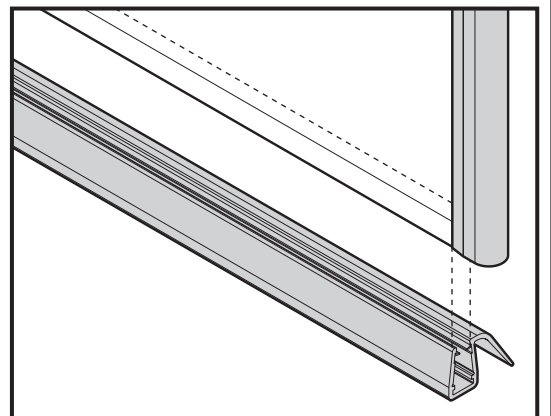
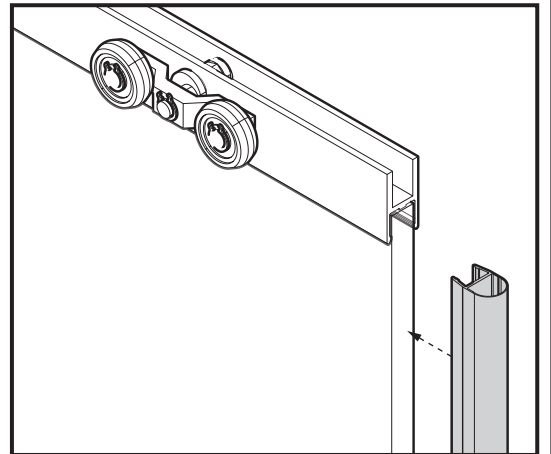
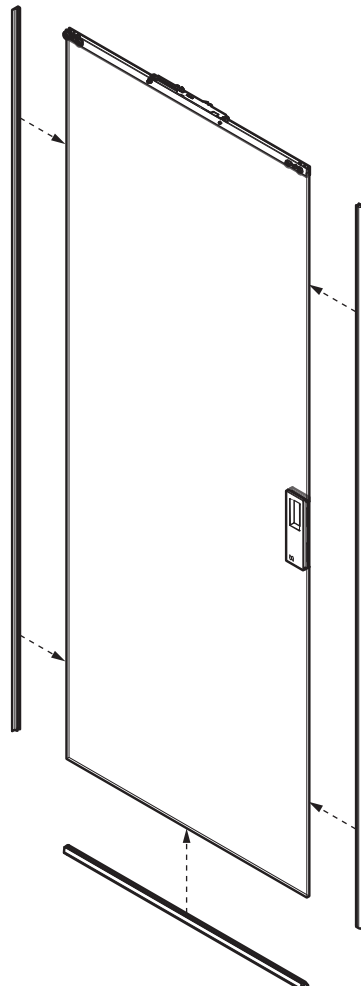
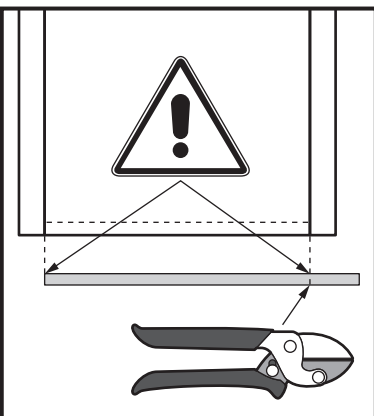
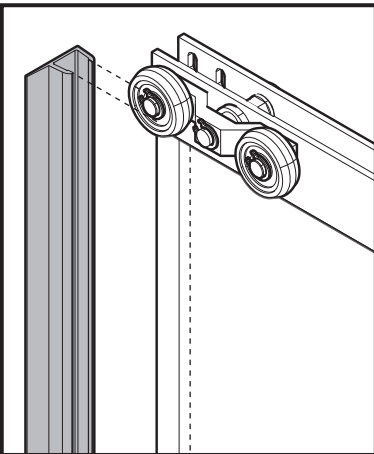
# 6



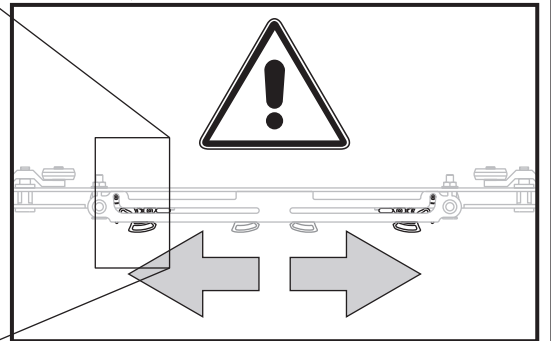
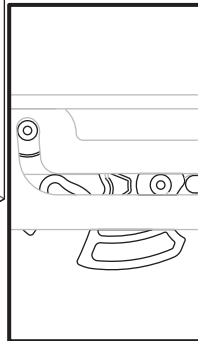
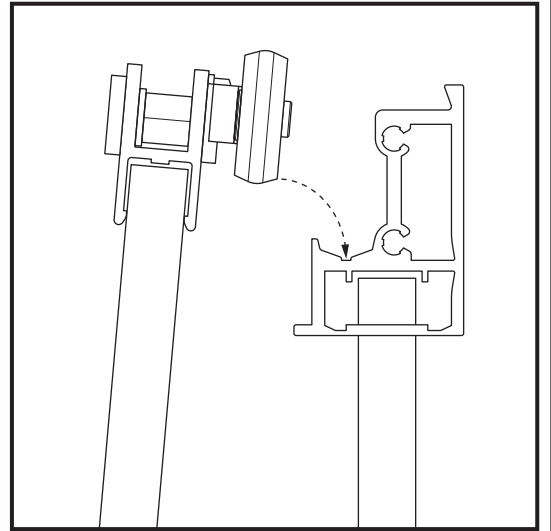
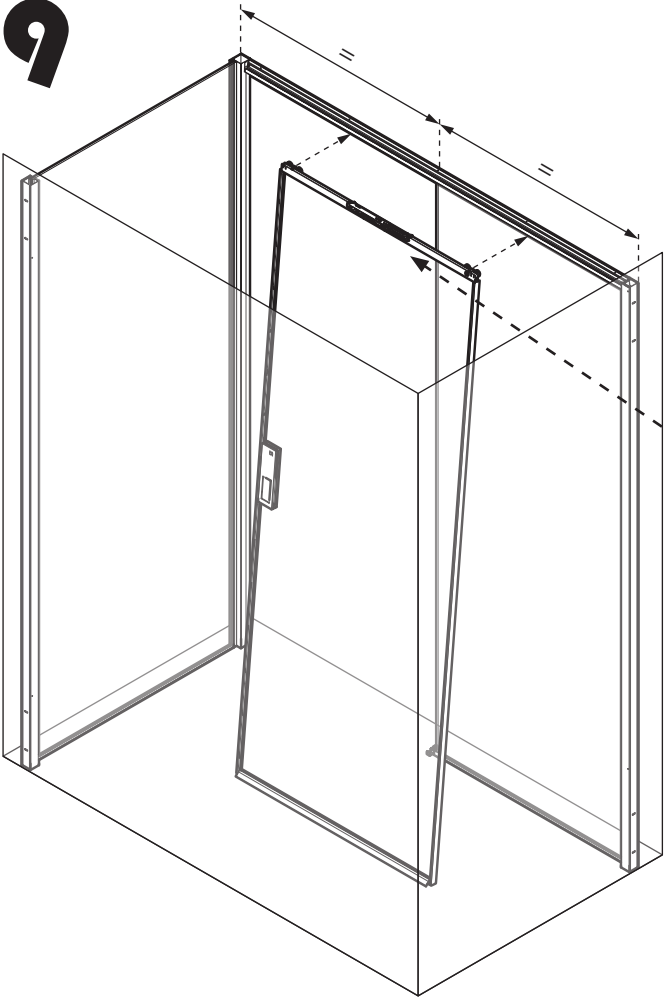
# 7



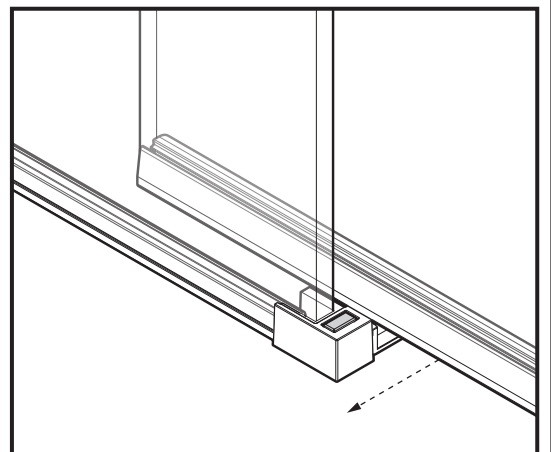
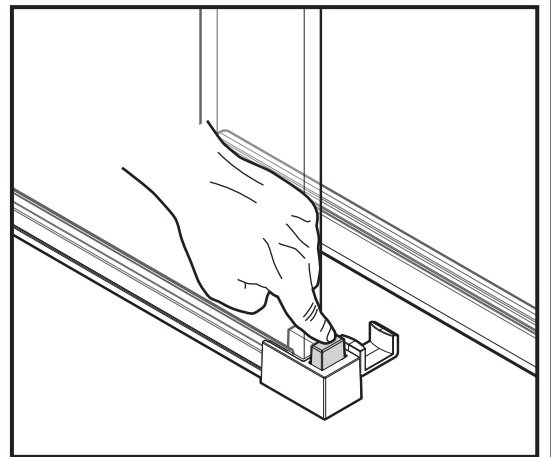
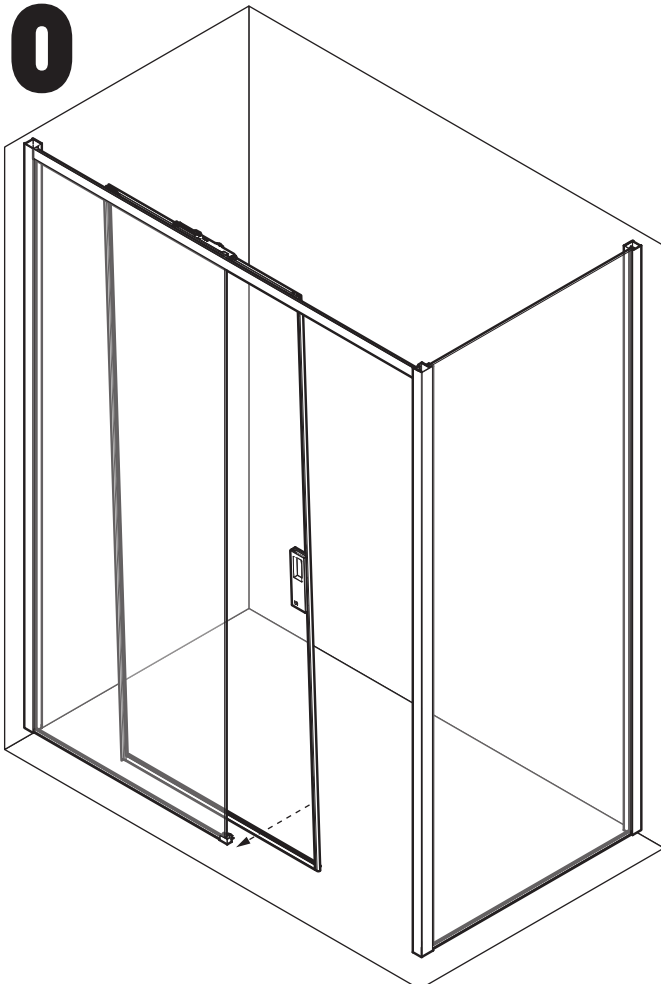
# 8

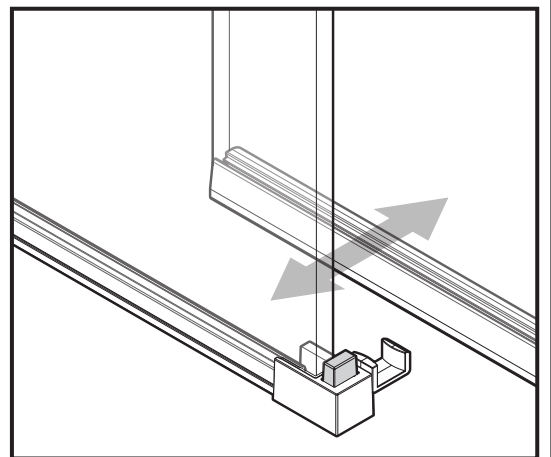
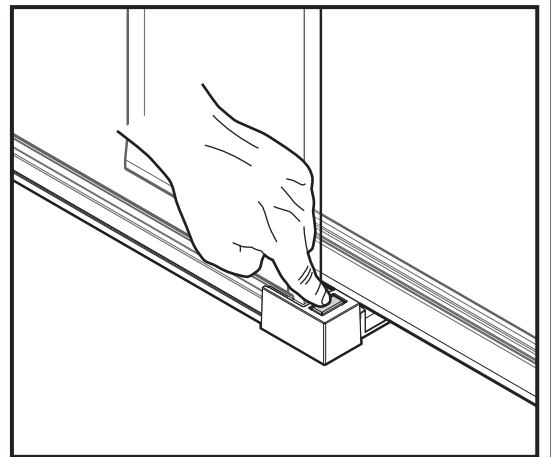
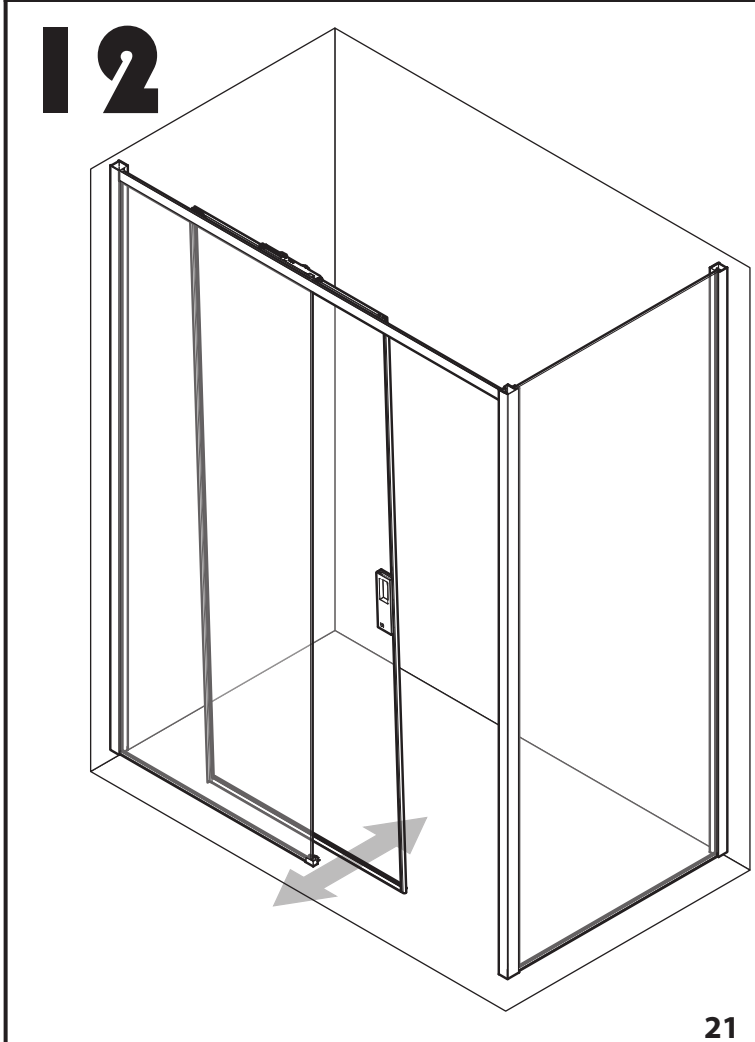
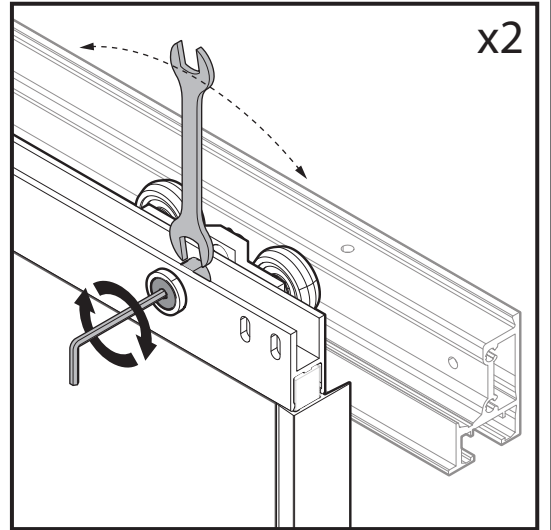
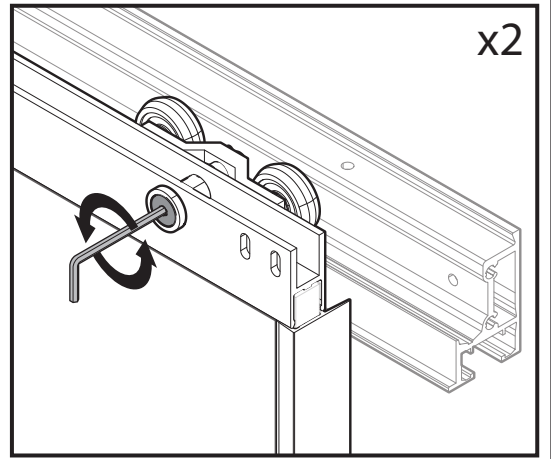
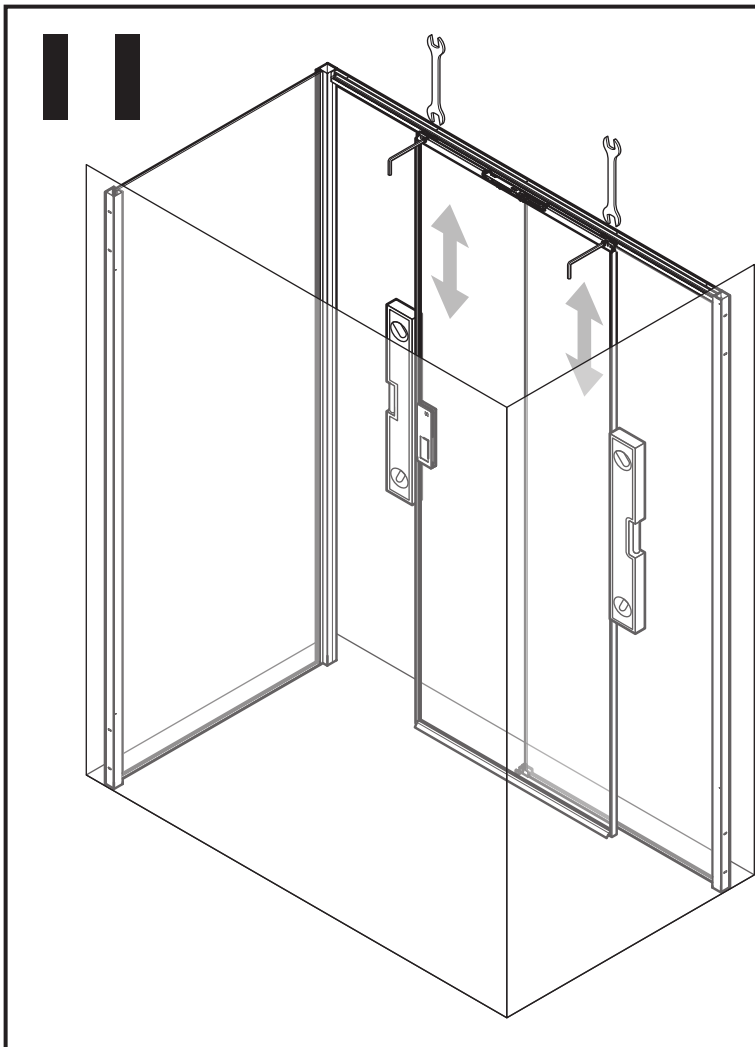


9

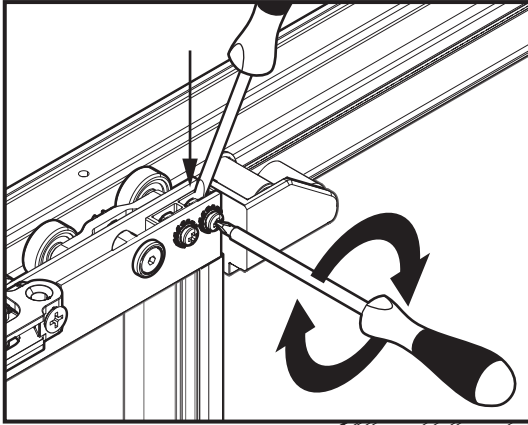


10

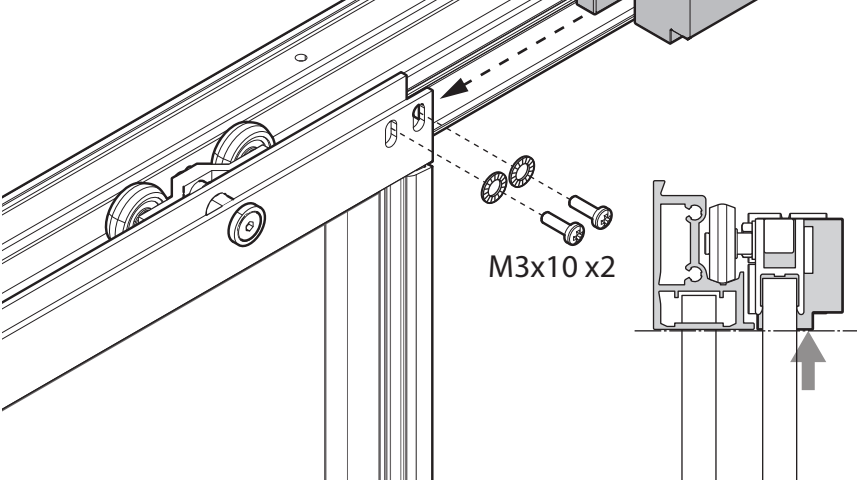
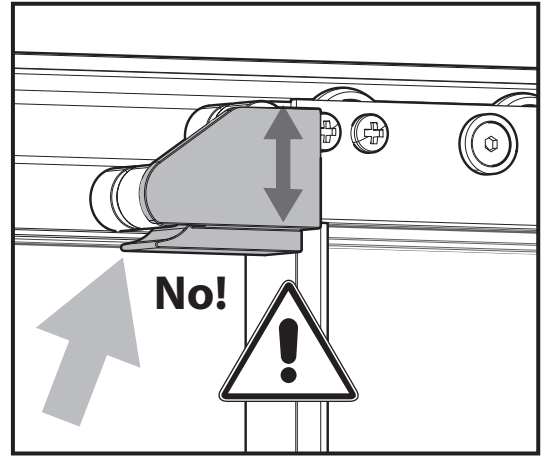
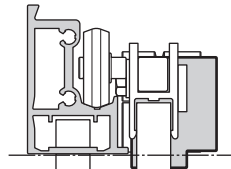




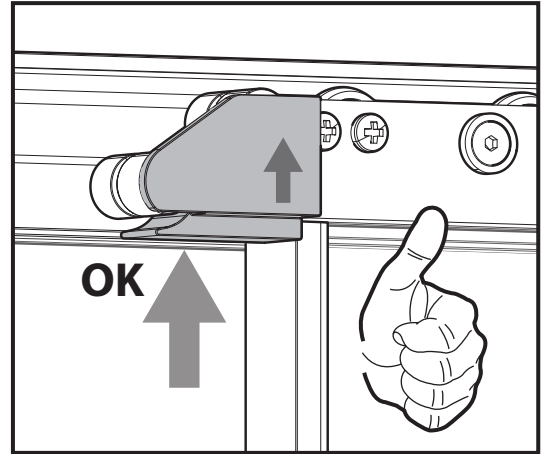
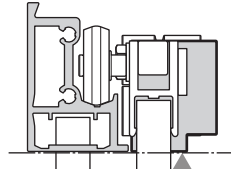
# 13



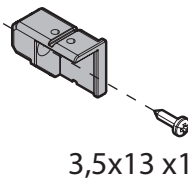
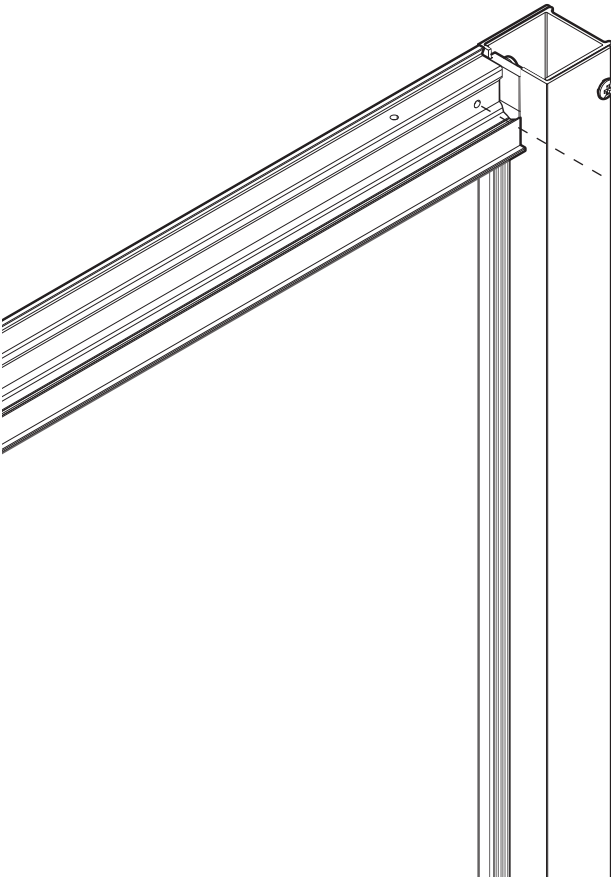
M3 x2



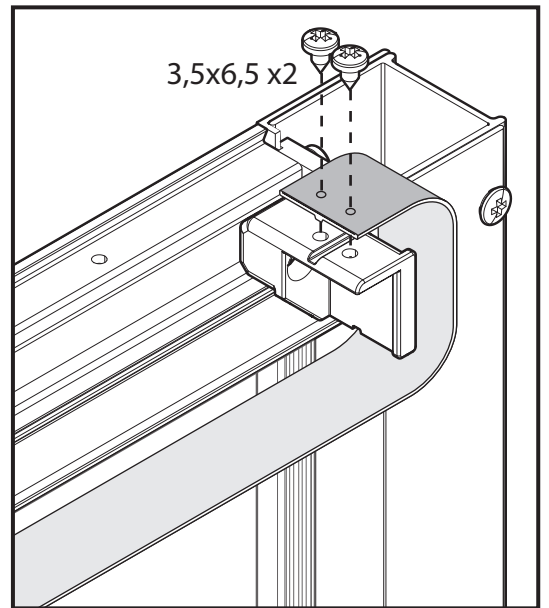
M3x10 x2



# 14

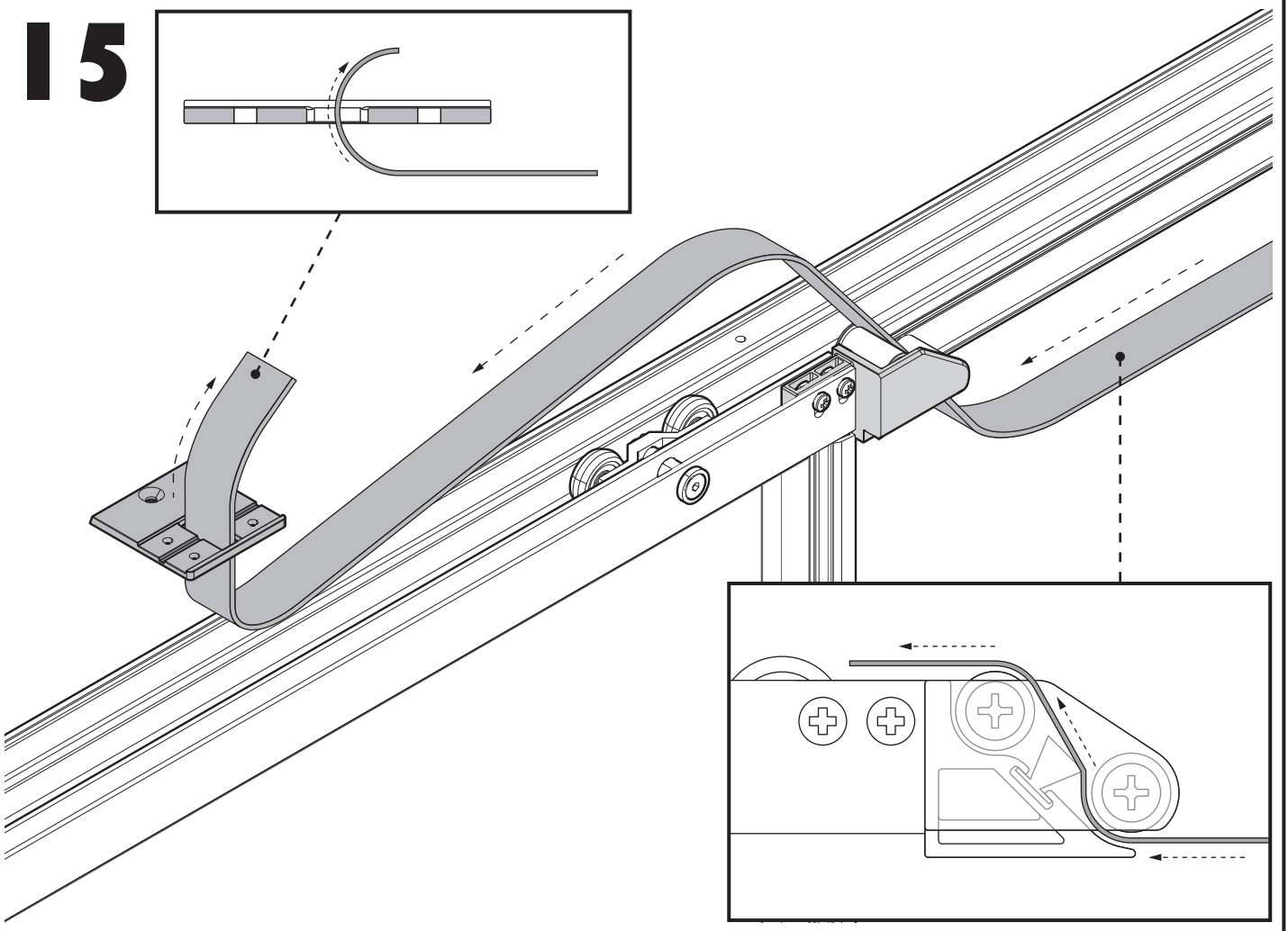
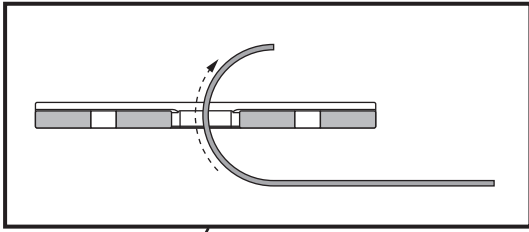


3,5x13 x1



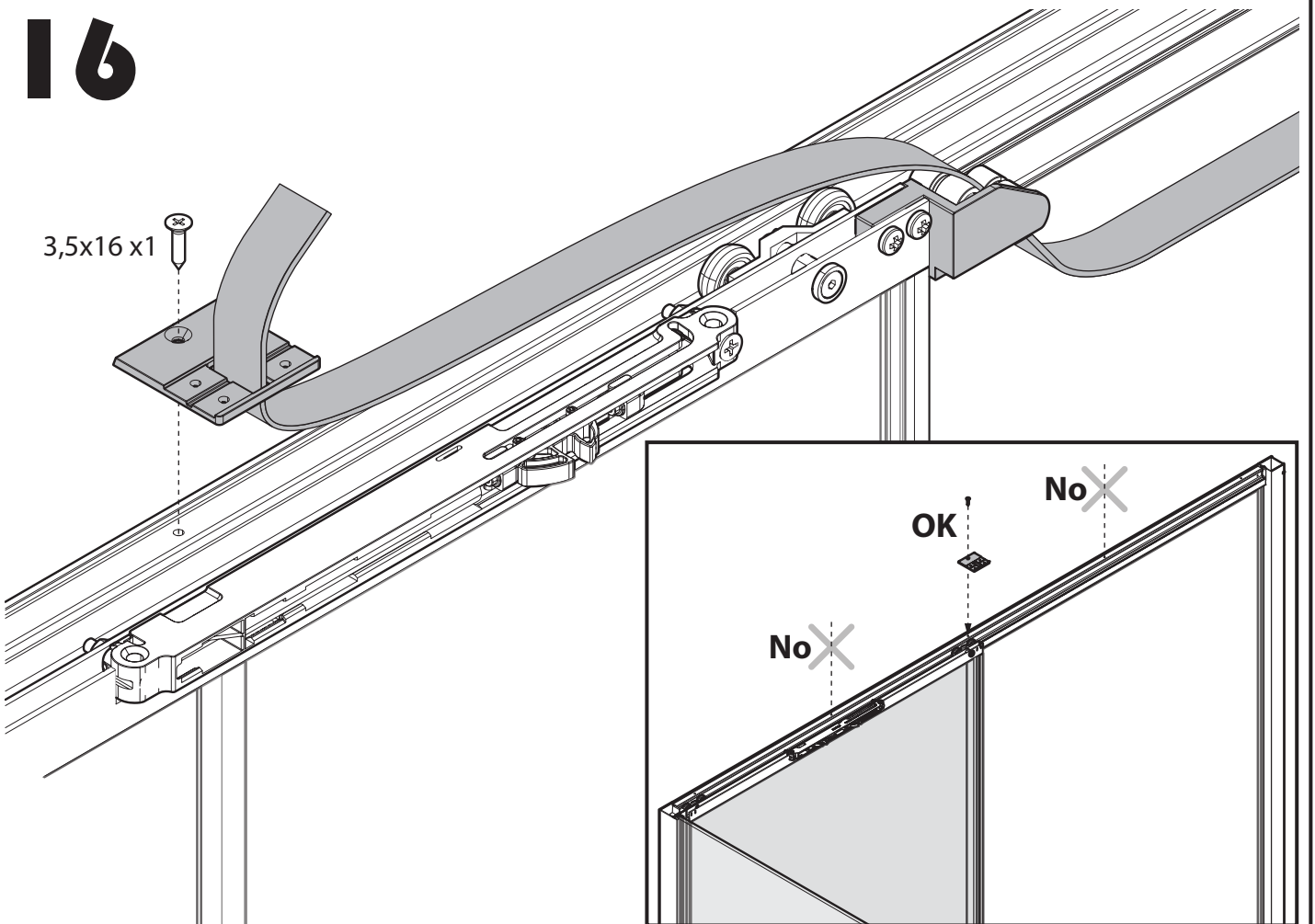
3,5x6,5 x2

**15**

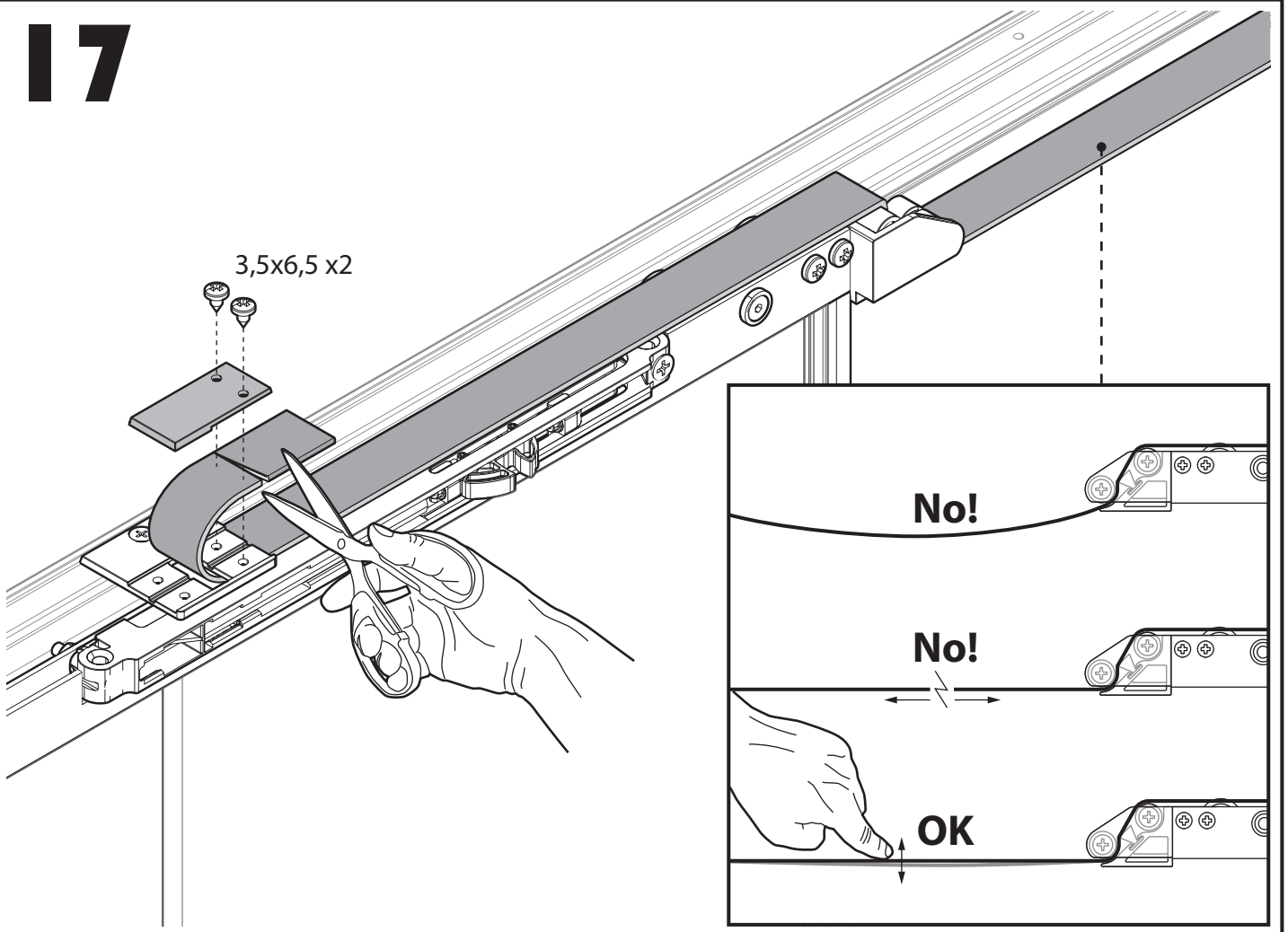


**16**

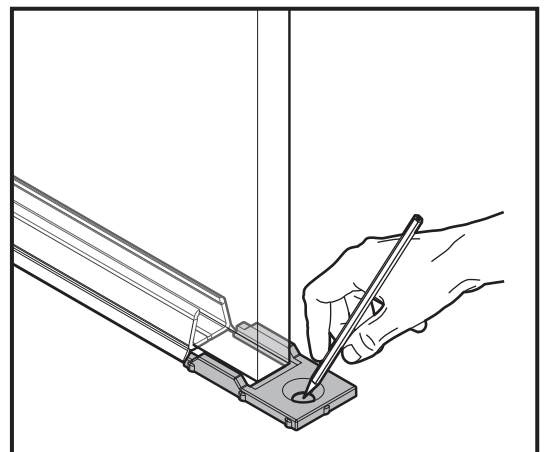
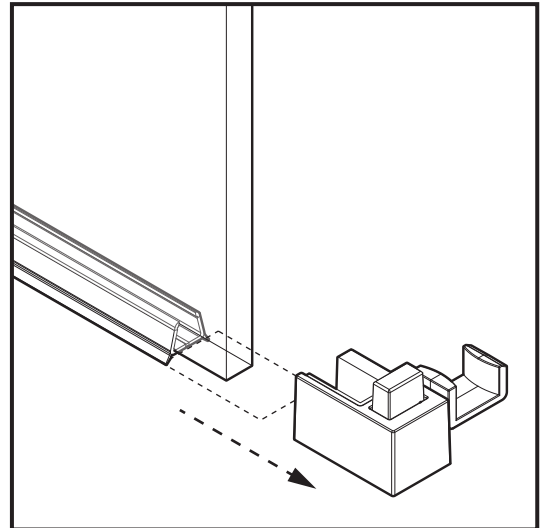
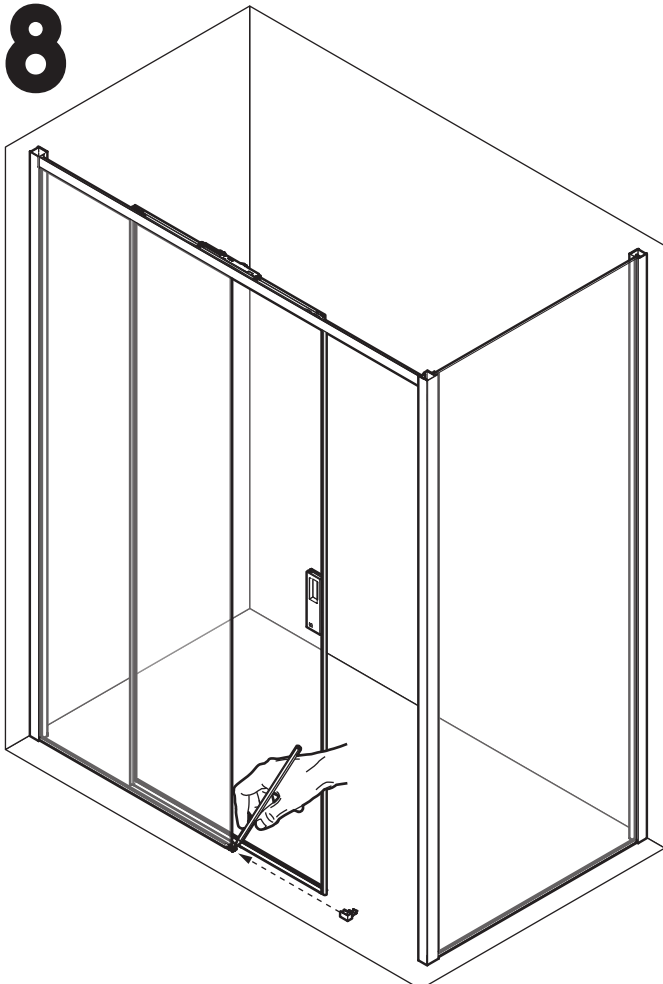
3,5x16 x1



# 17

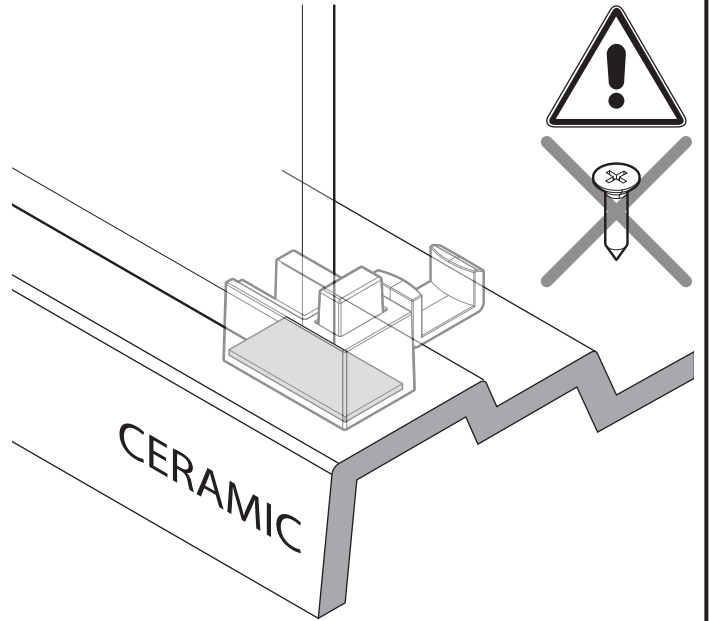
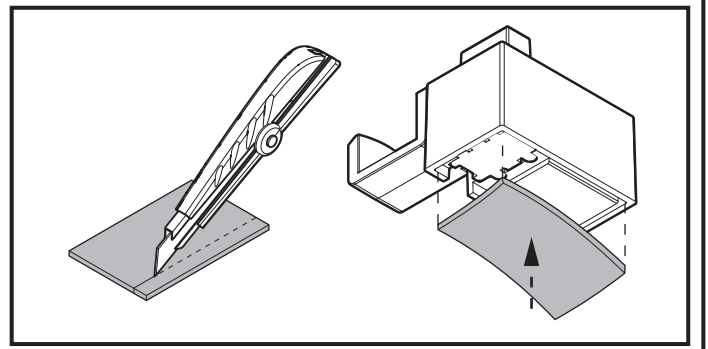
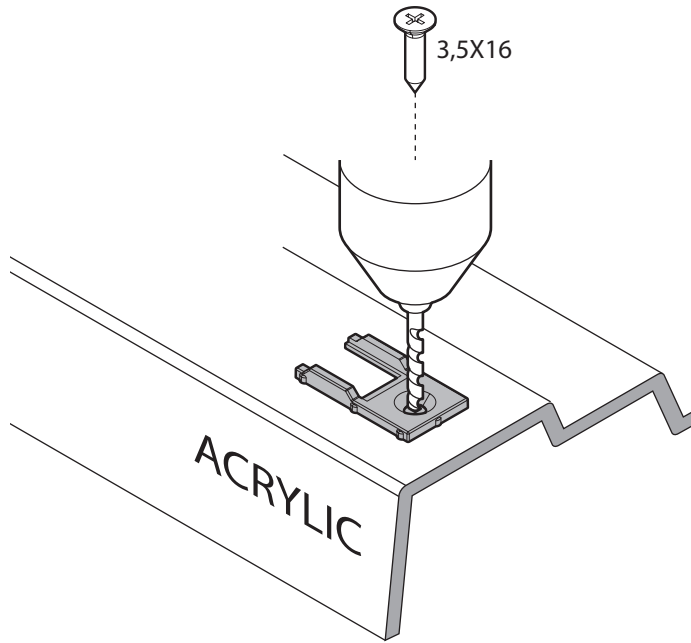


# 18

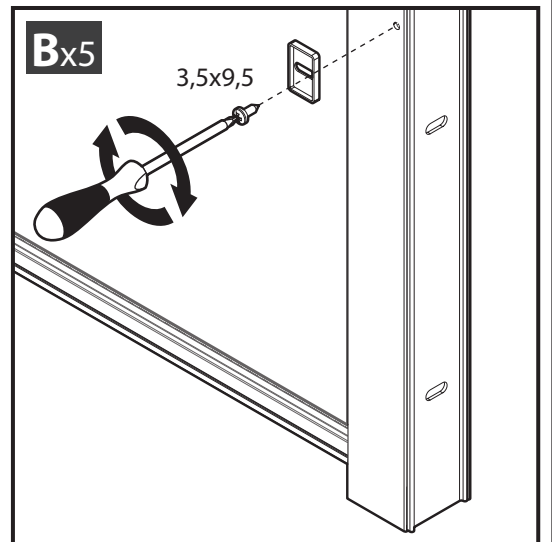
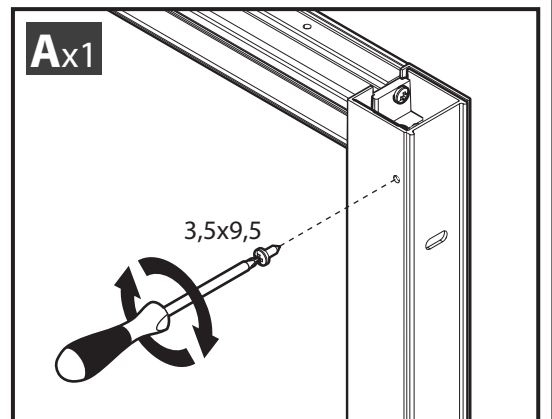
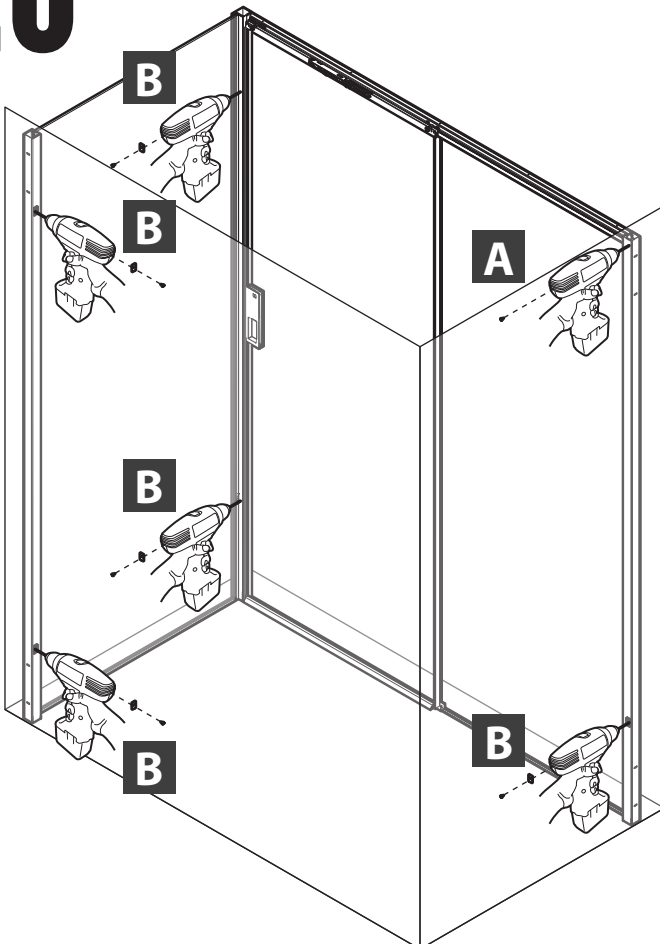




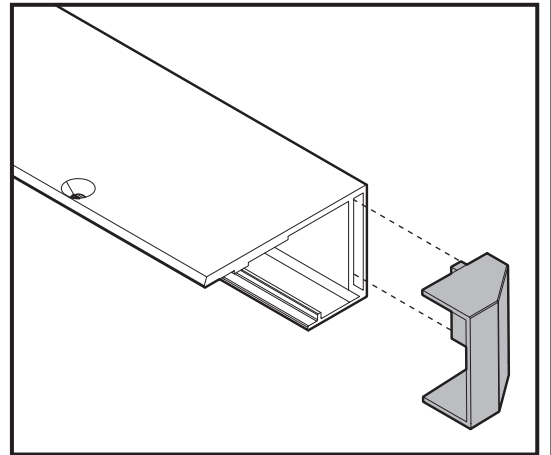
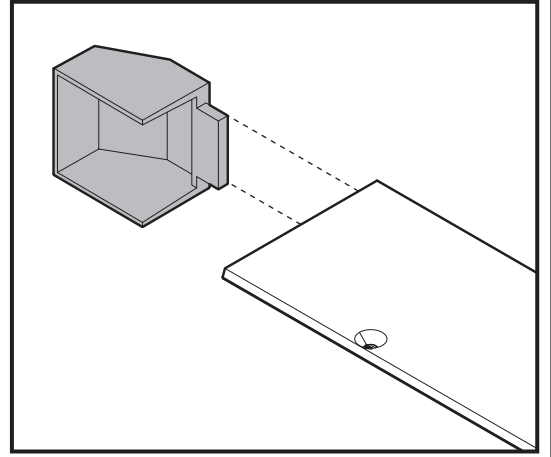
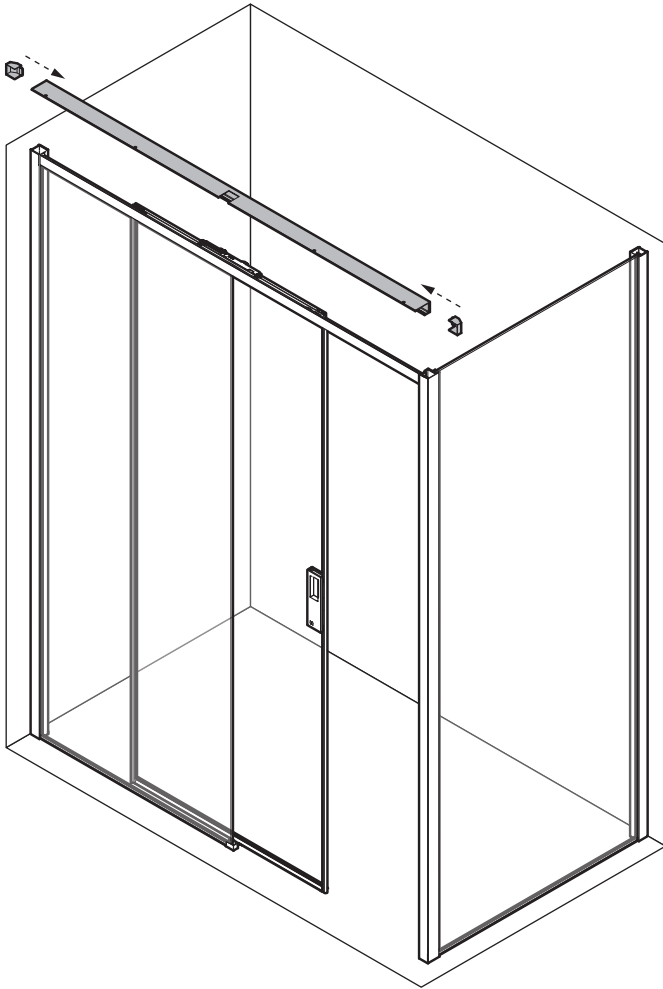
# 19



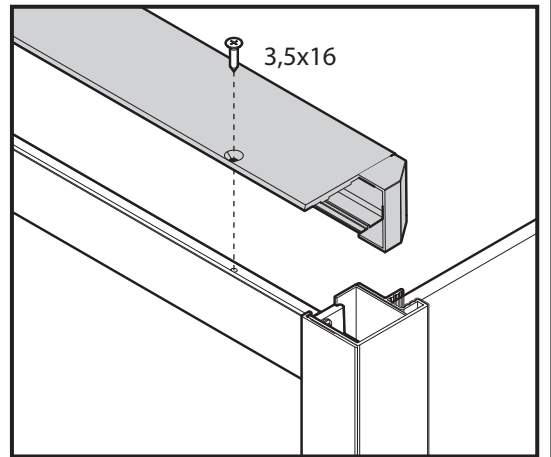
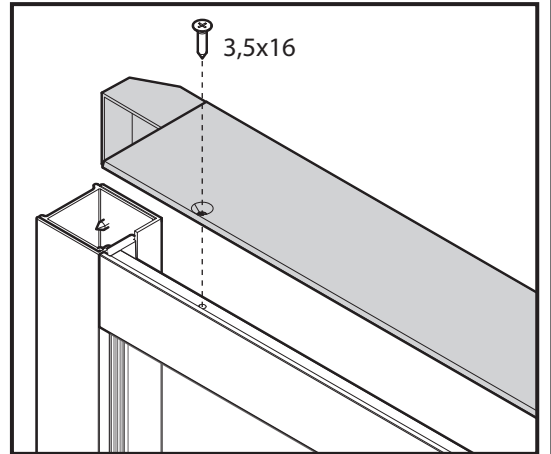
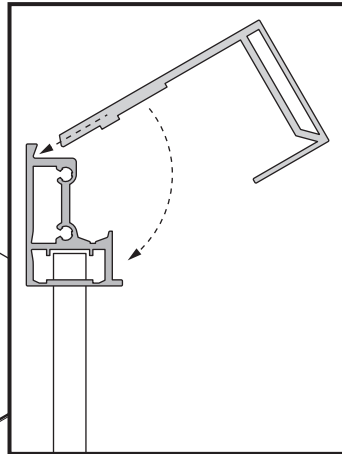
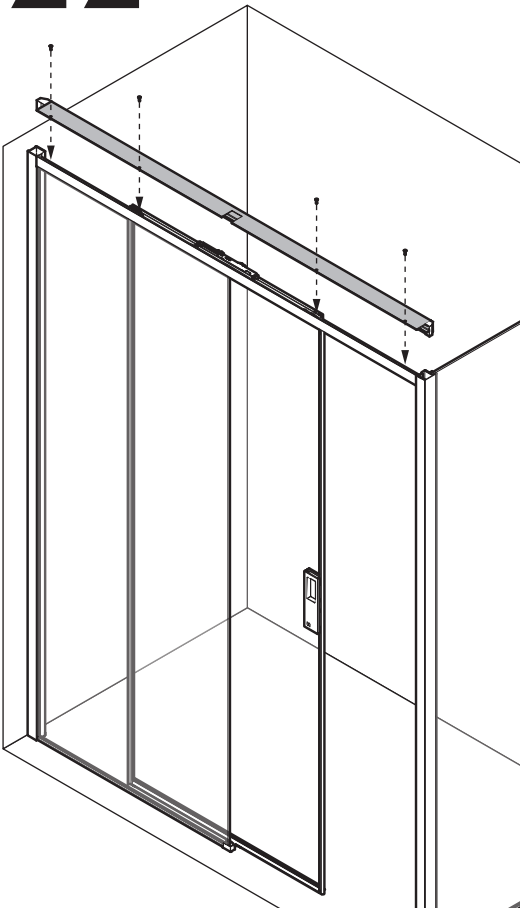
# 20



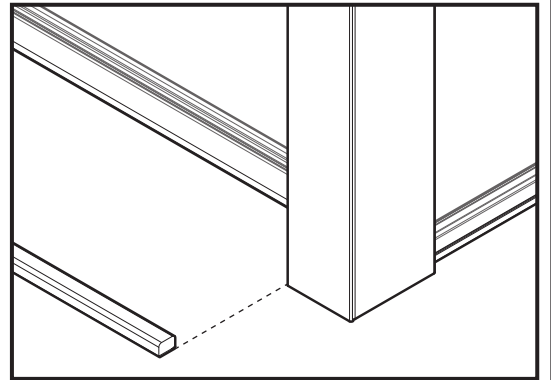
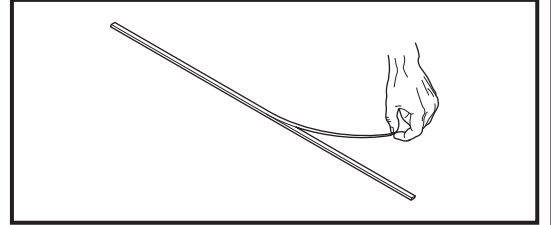
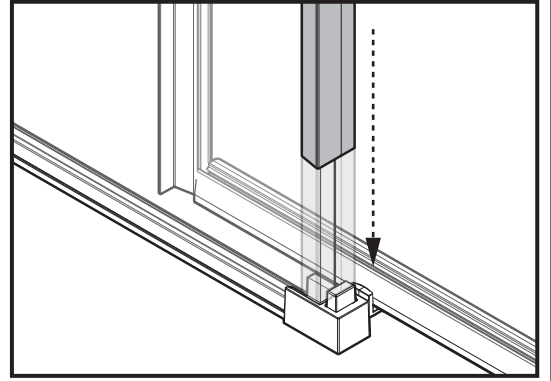
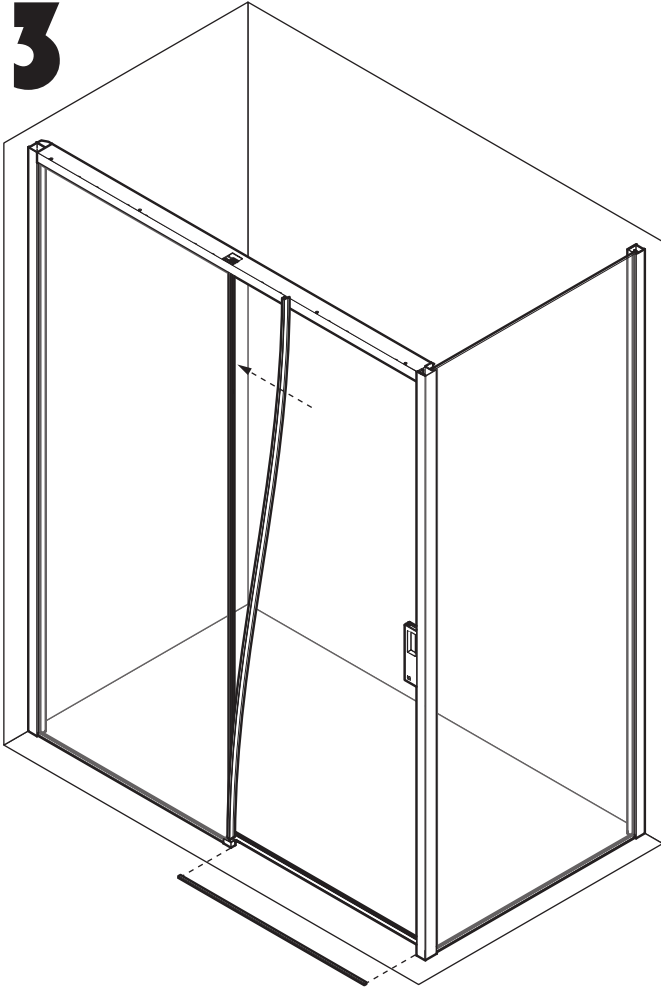
# 21



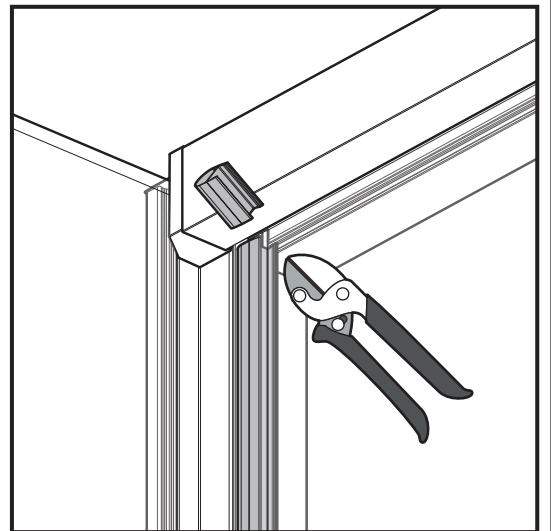
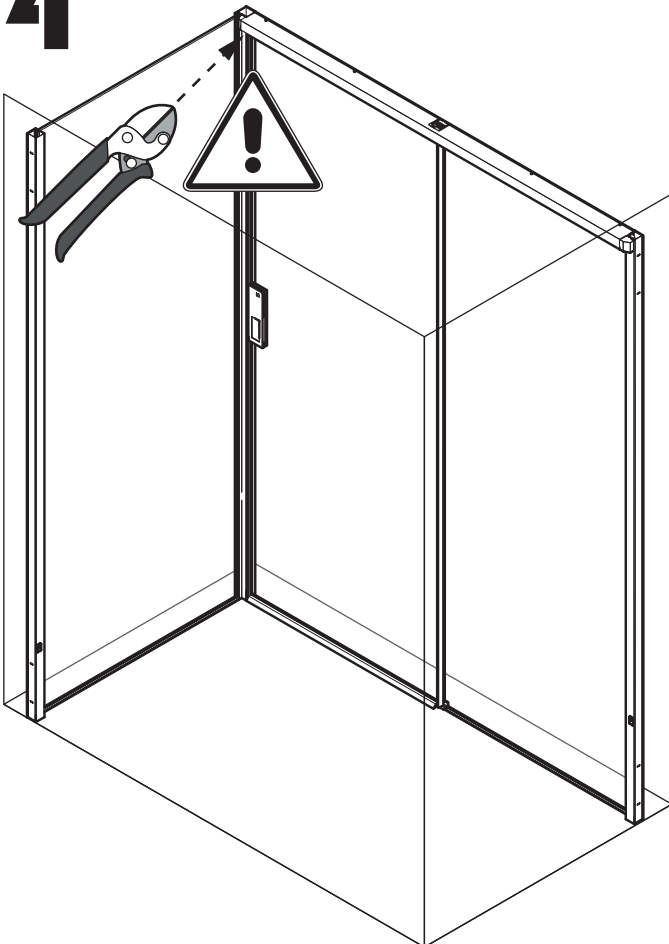
# 22



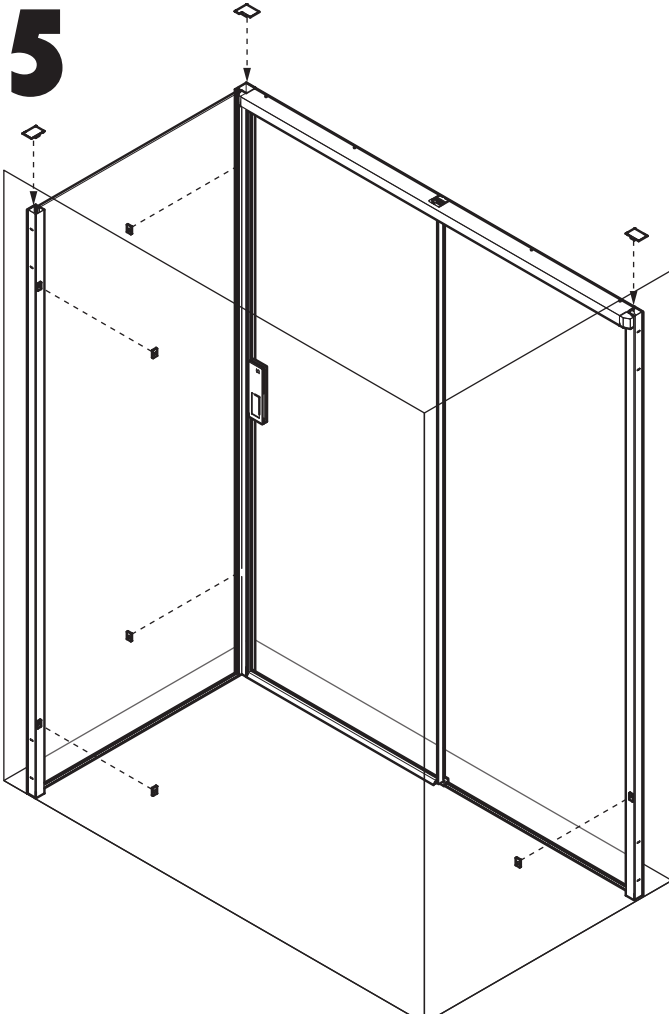
# 23



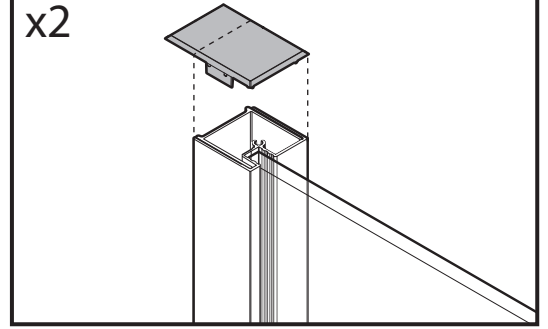
# 24



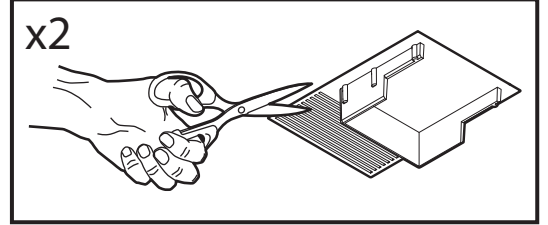
# 25



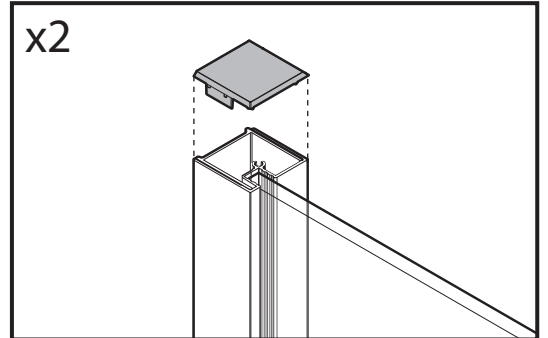
x2



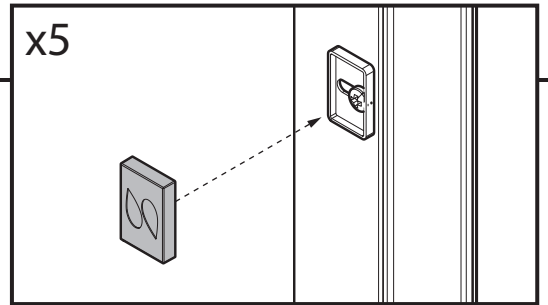
x2



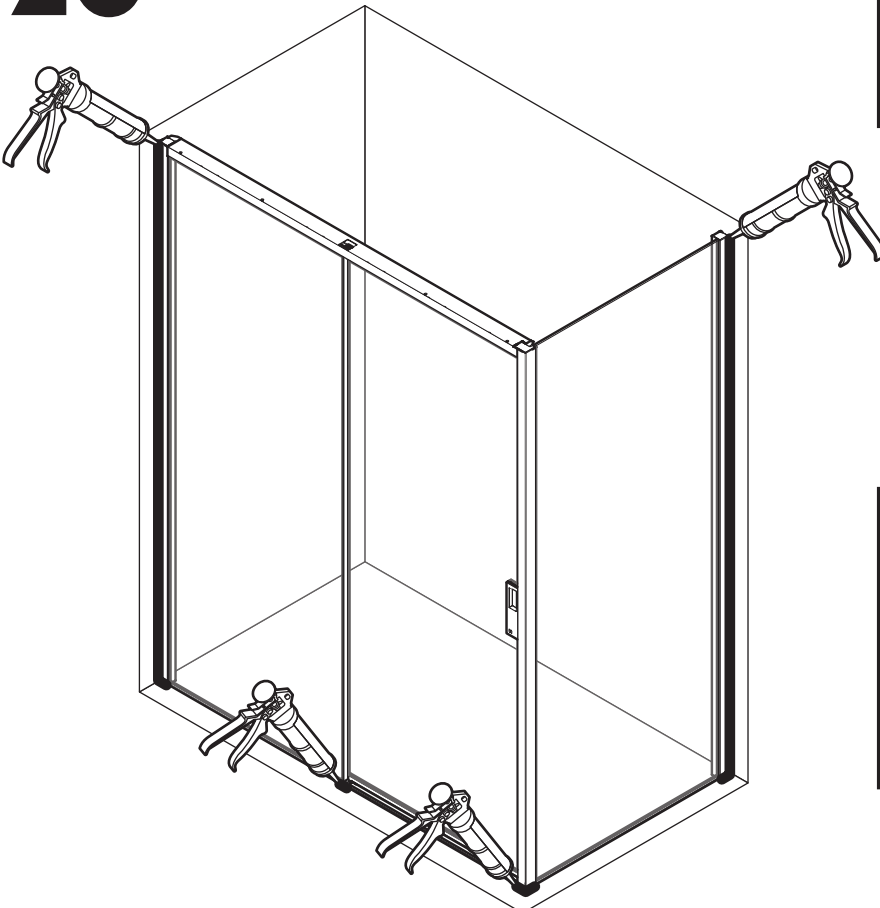
x2



x5



# 26









**NOVELLINI S.p.A.**

Via Mantova, 1023 - 46030 Romanore di Borgo Virgilio (Mn)  
Tel. +39 0376 6421 - Fax +39 0376 642250 - e-mail: [novellini@novellini.it](mailto:novellini@novellini.it)  
[www.novellini.com](http://www.novellini.com)