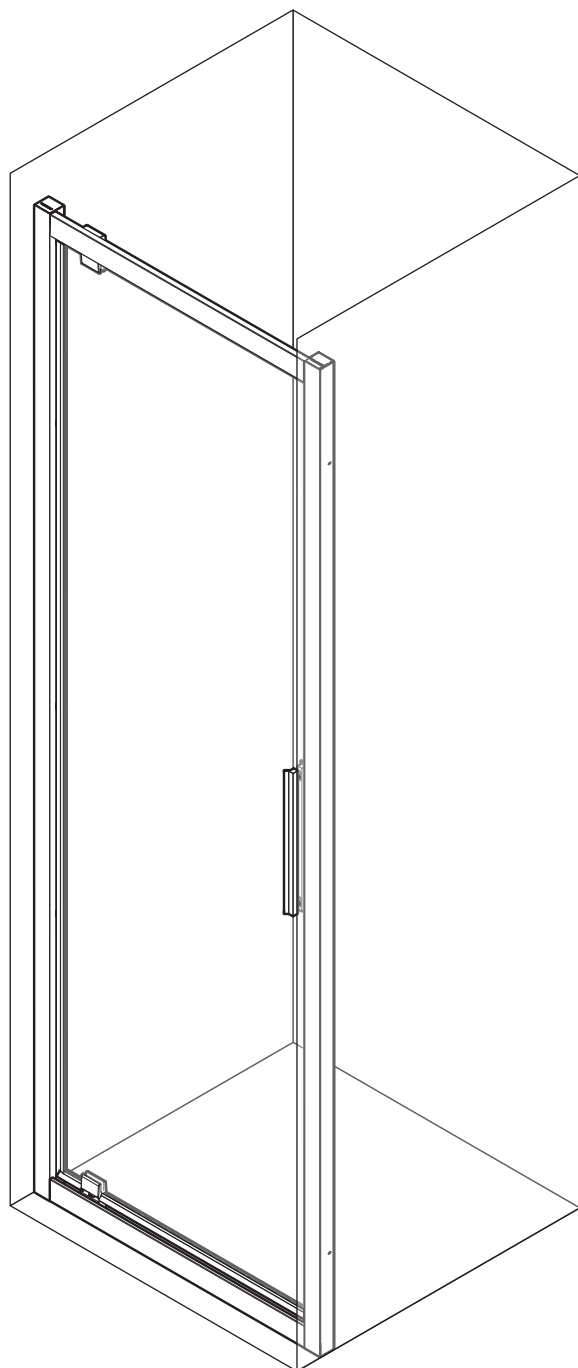


KUADRA 2.0

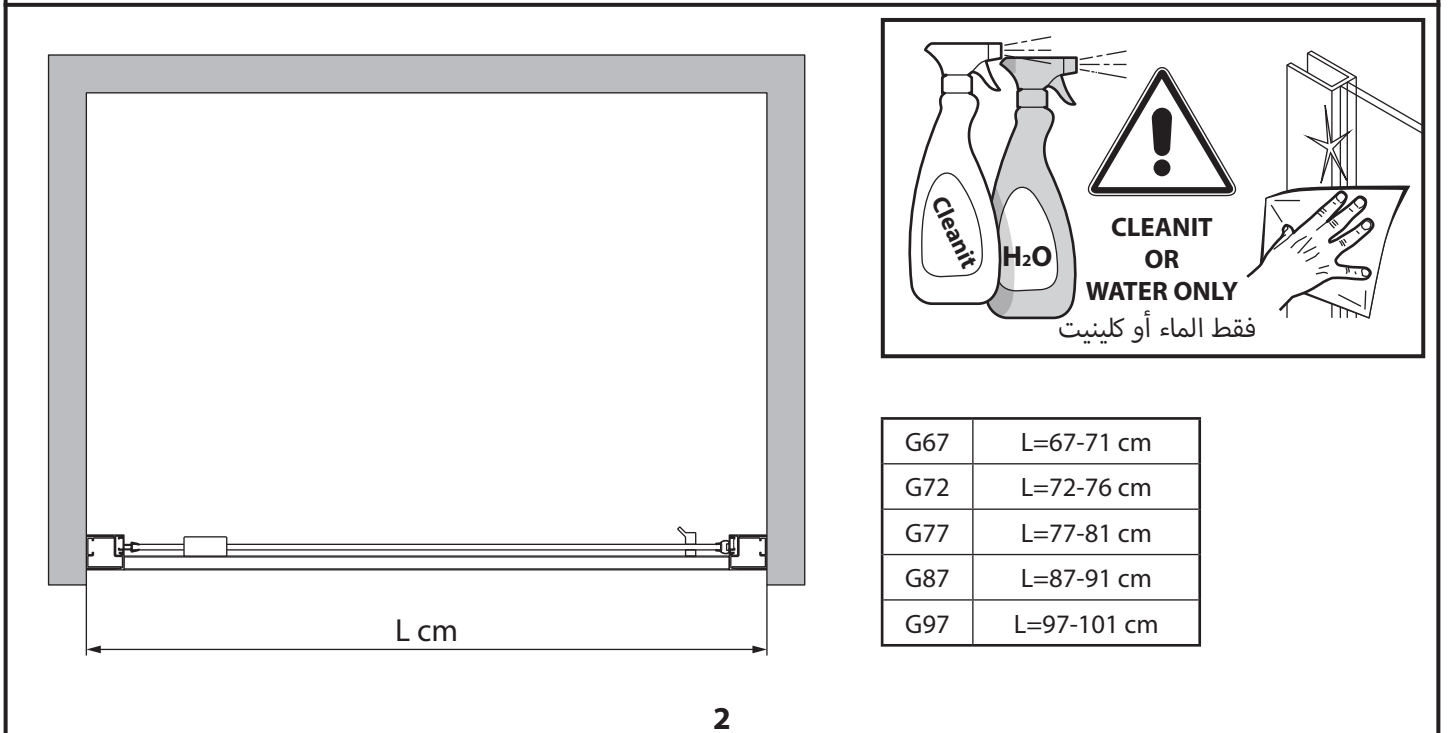
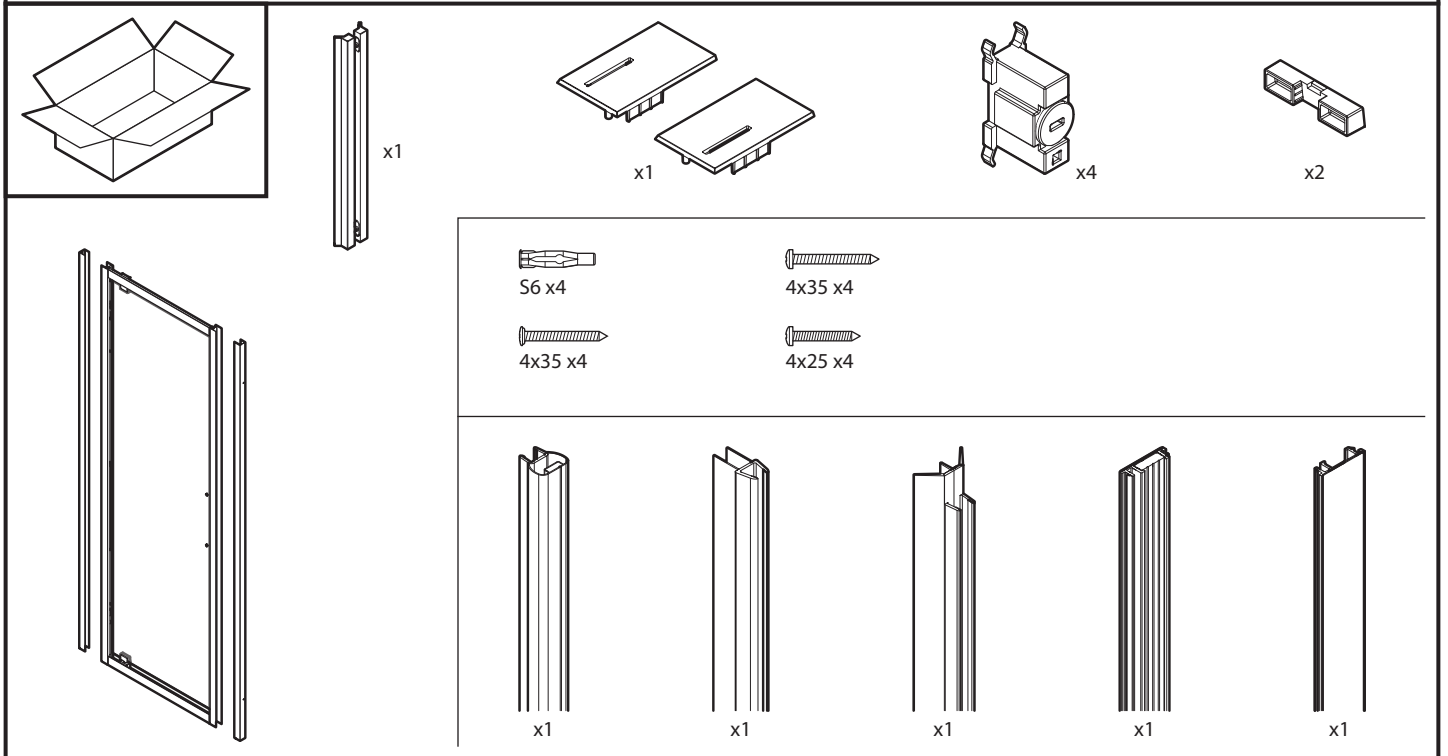
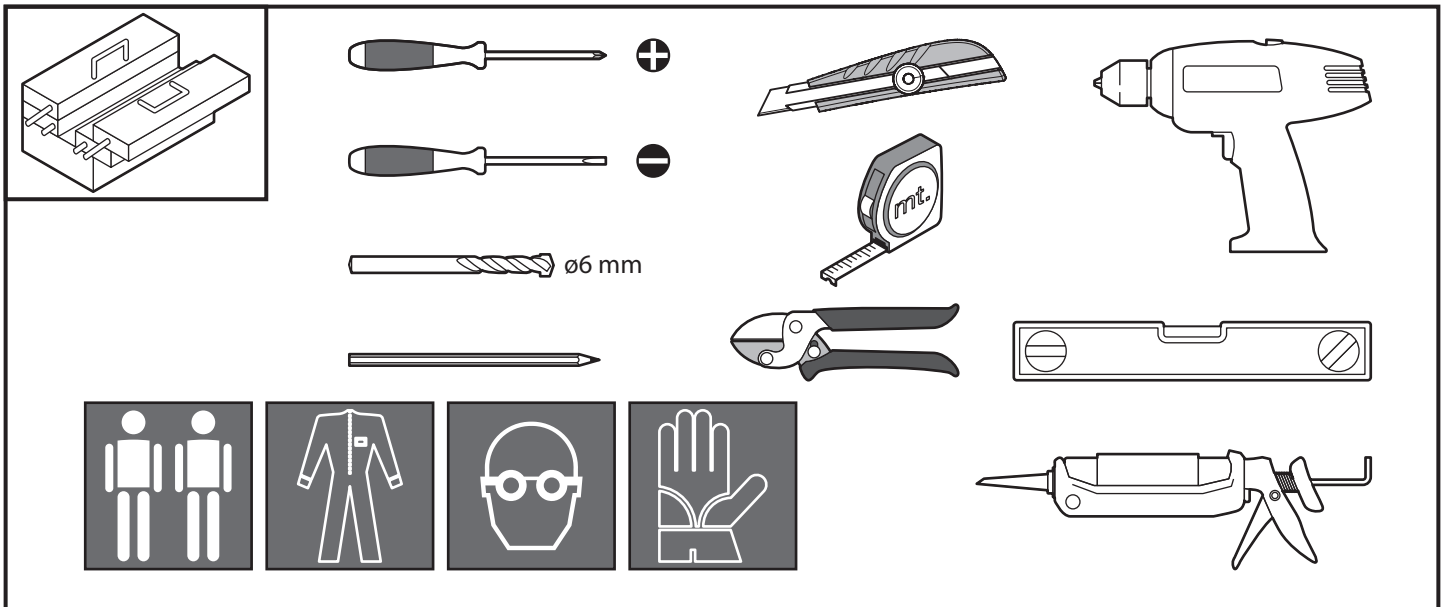


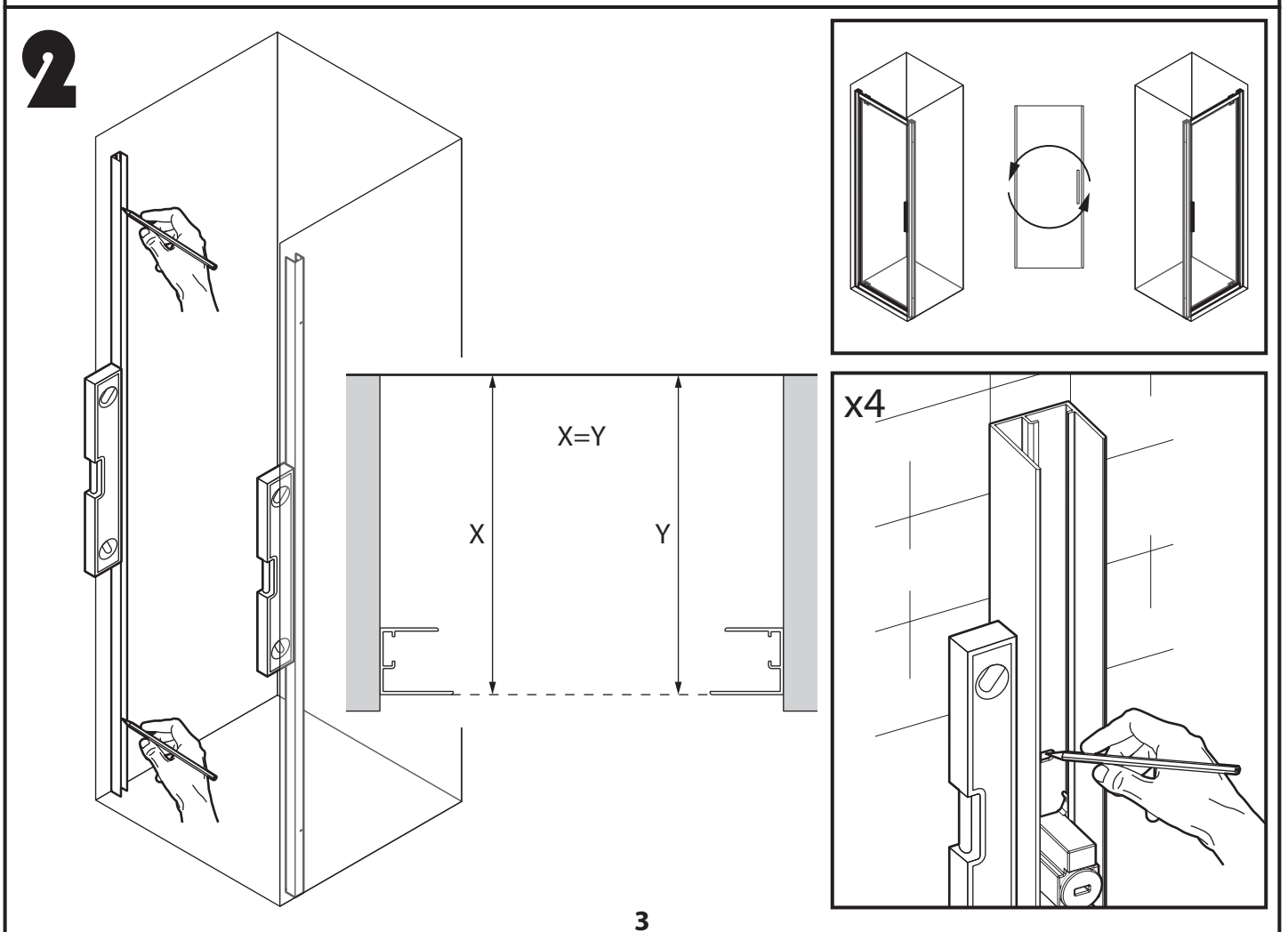
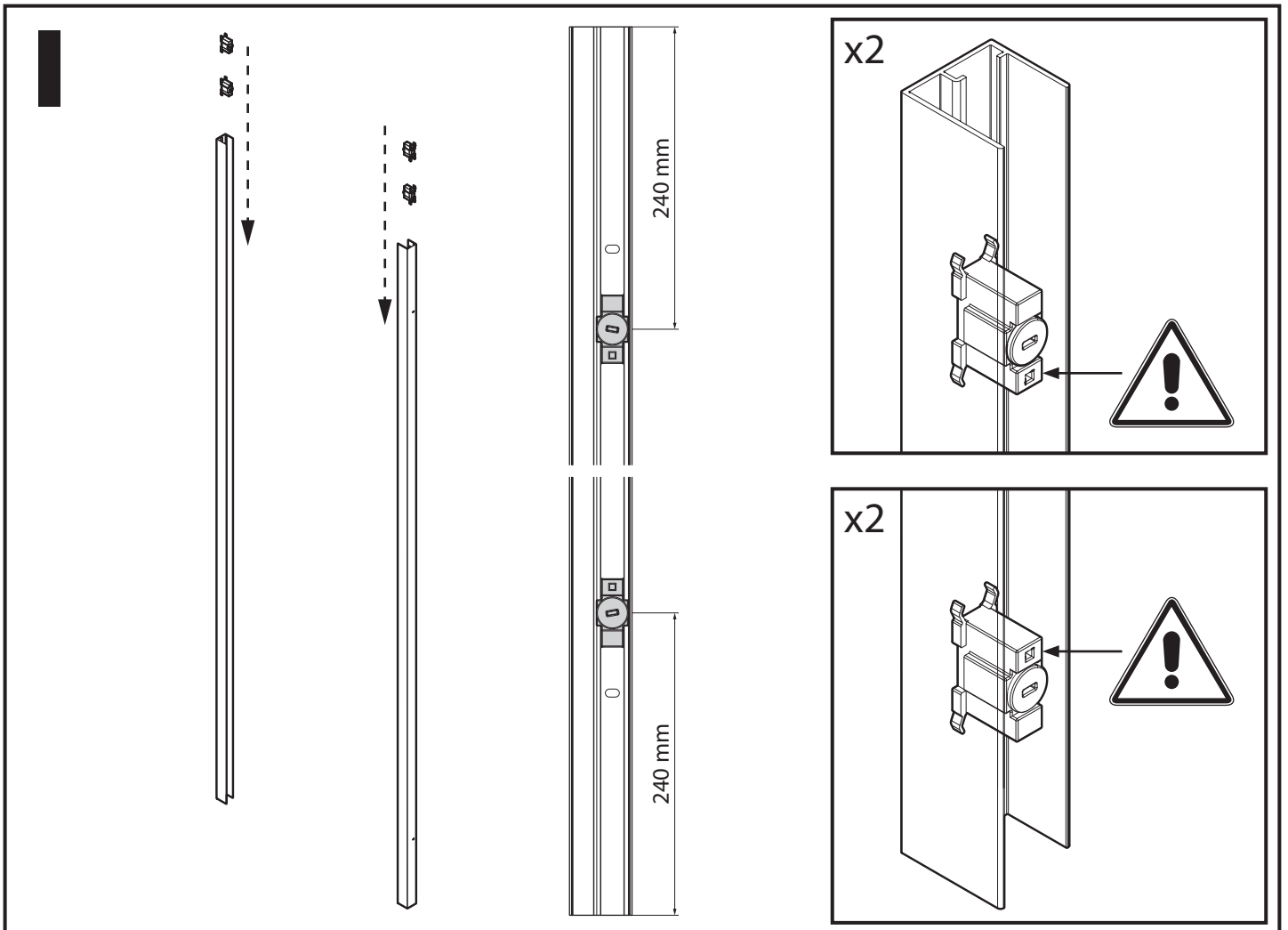
NOVELLINI

G

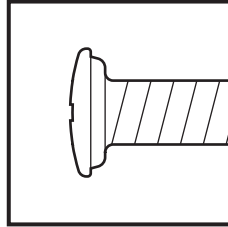
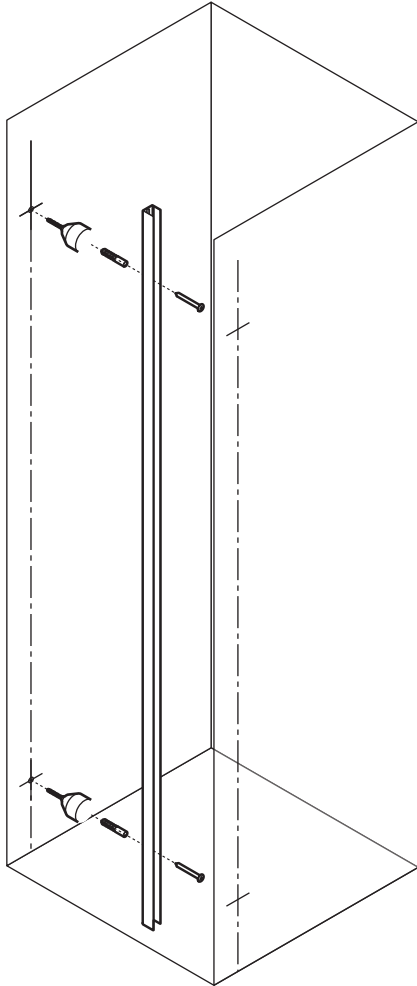


<hr/> <hr/> <hr/> <hr/>	<hr/> <hr/> <hr/> <hr/>
-------------------------	-------------------------





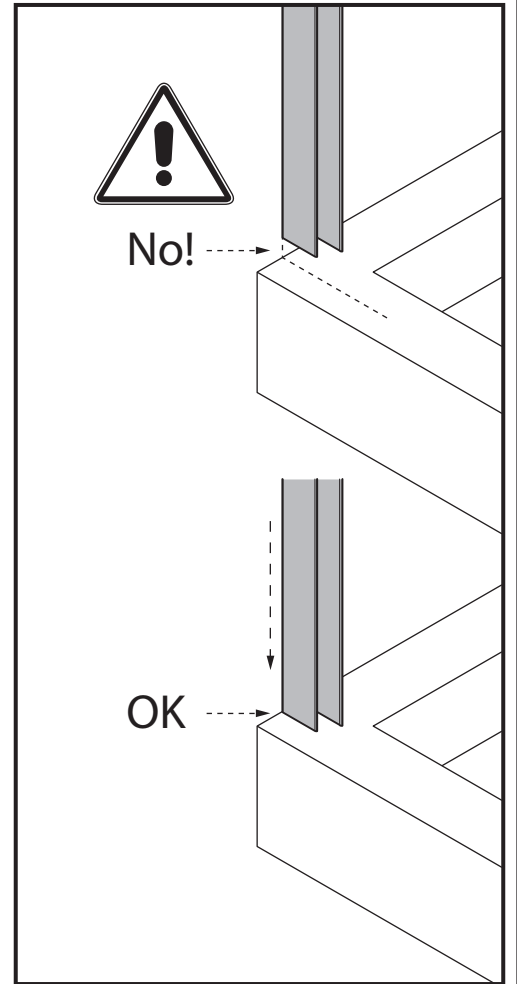
3



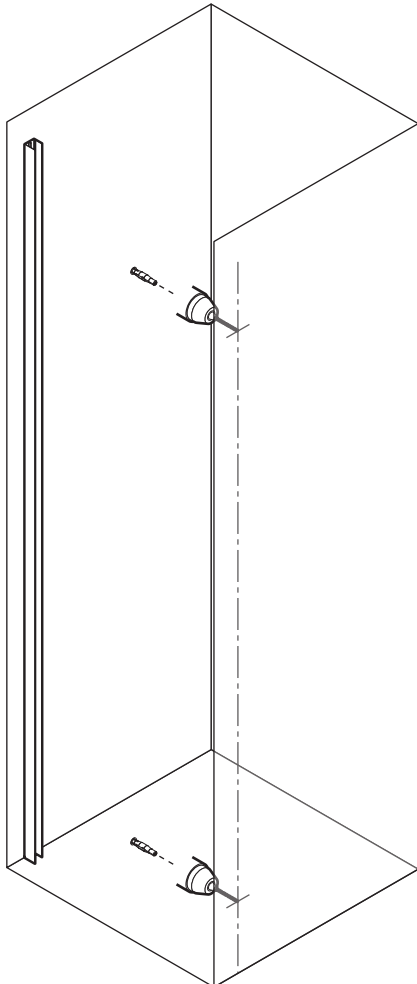
4x35 x2

S6x2

ø6 mm

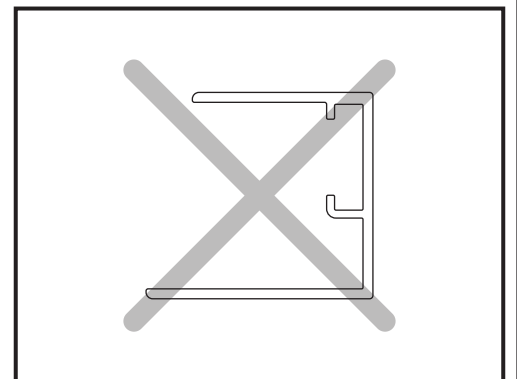


4

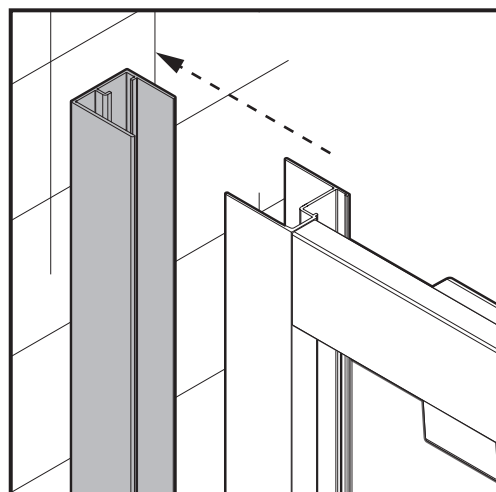
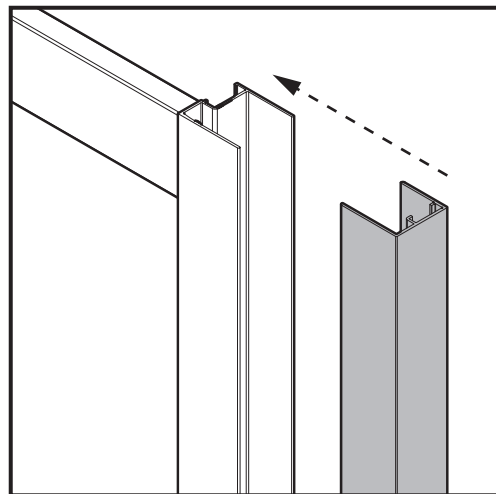
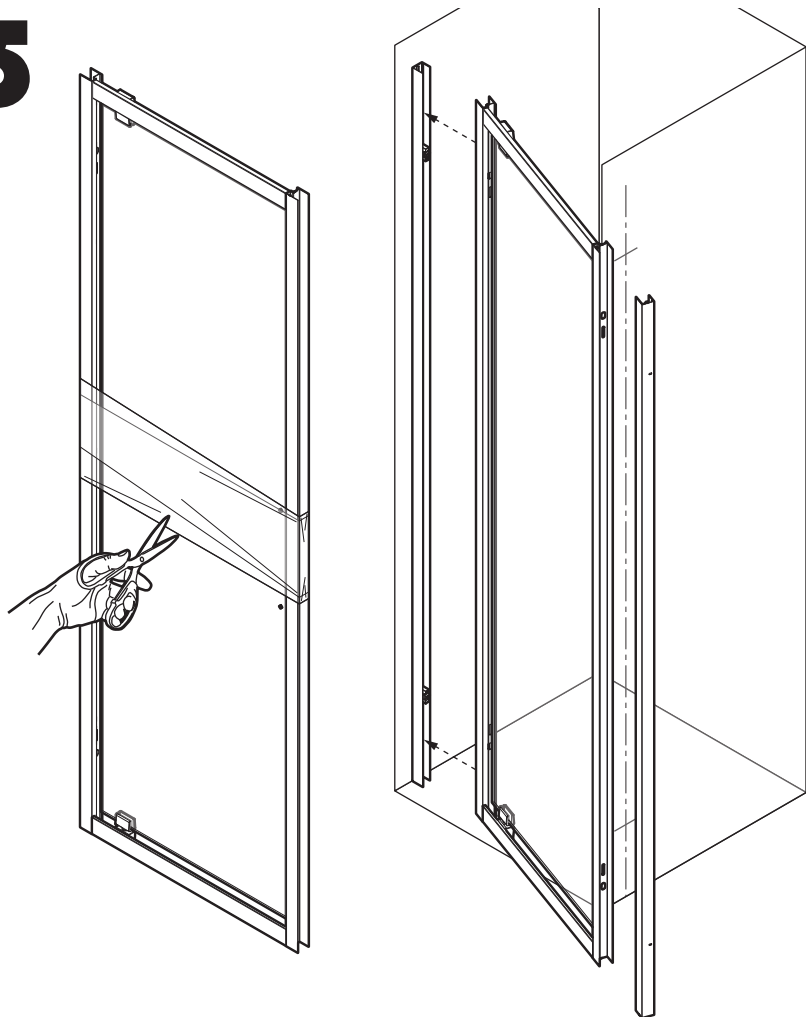


S6x2

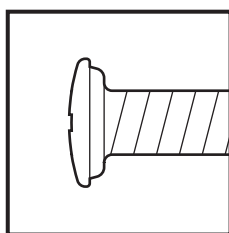
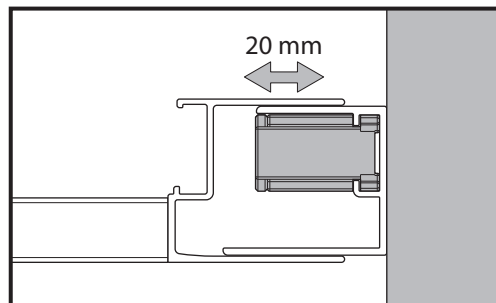
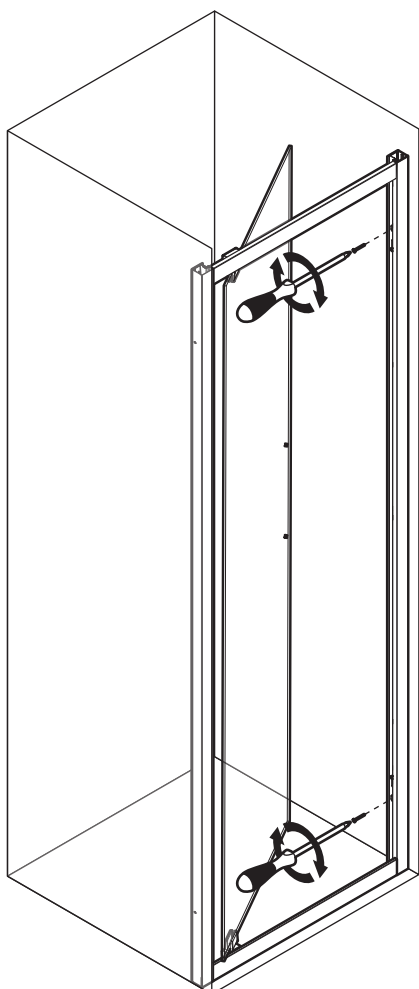
ø6 mm



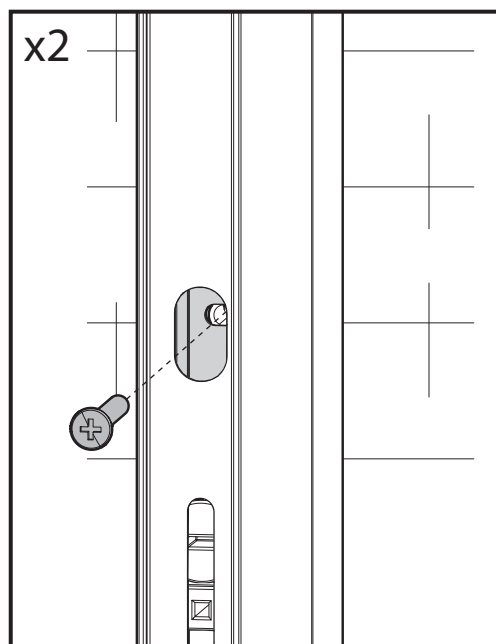
5



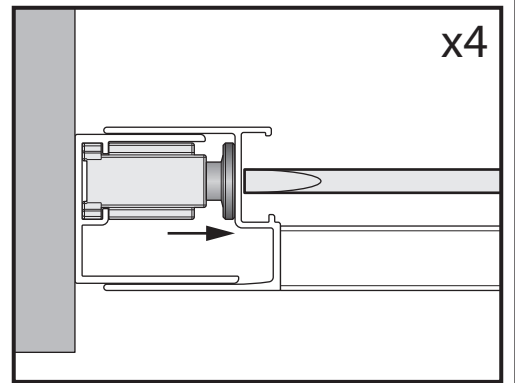
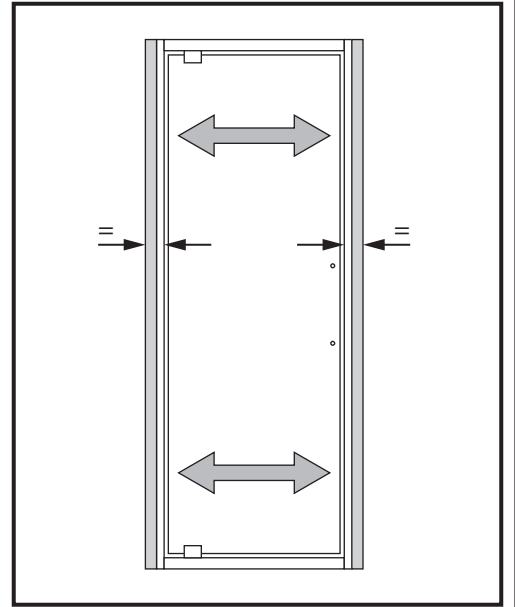
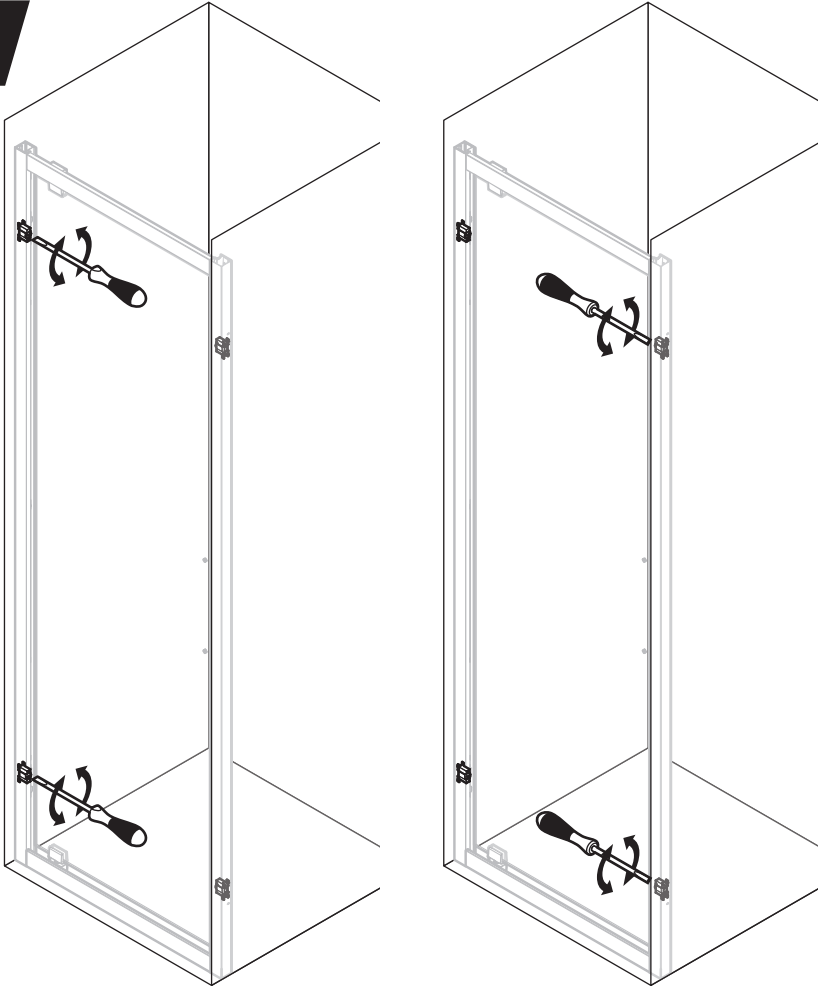
6



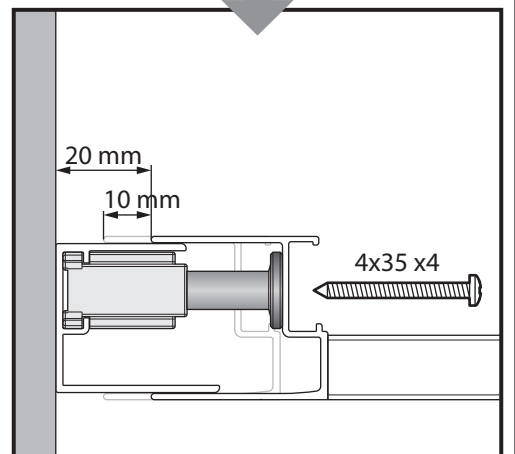
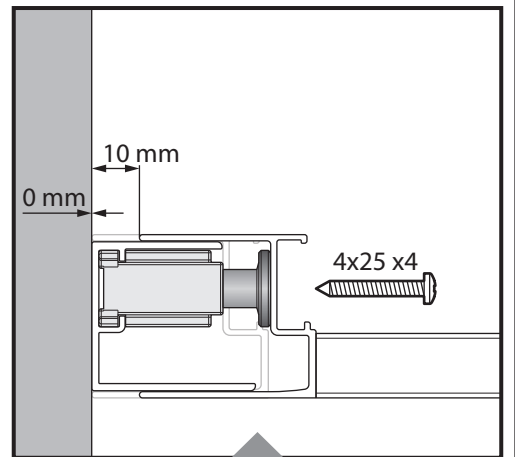
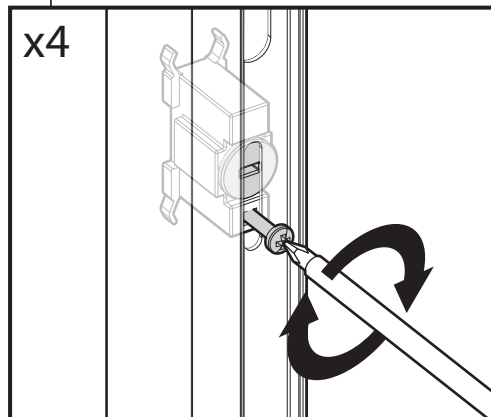
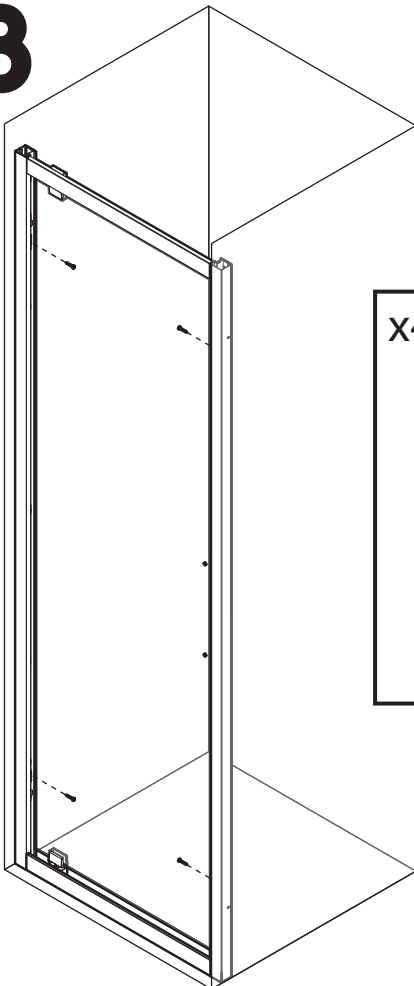
4x35 x2



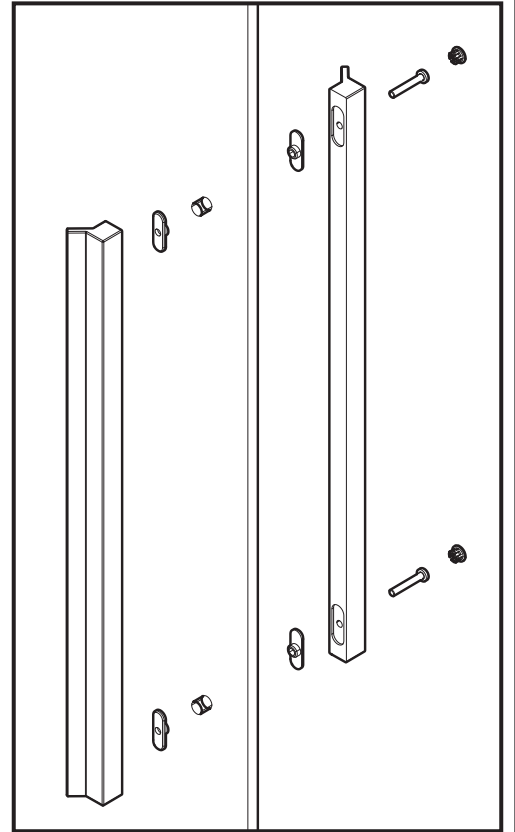
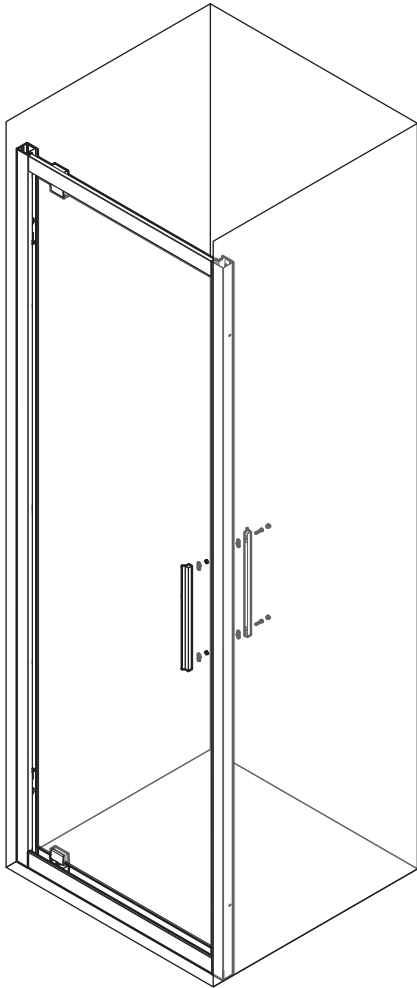
7



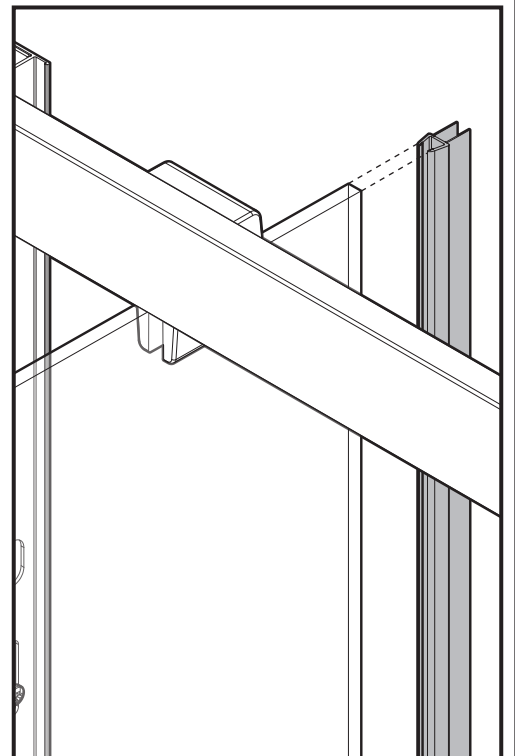
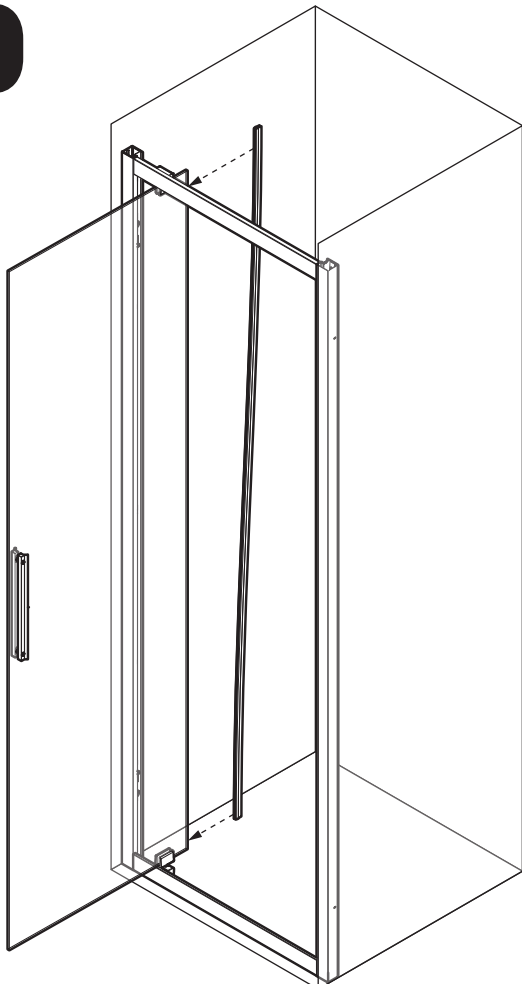
8

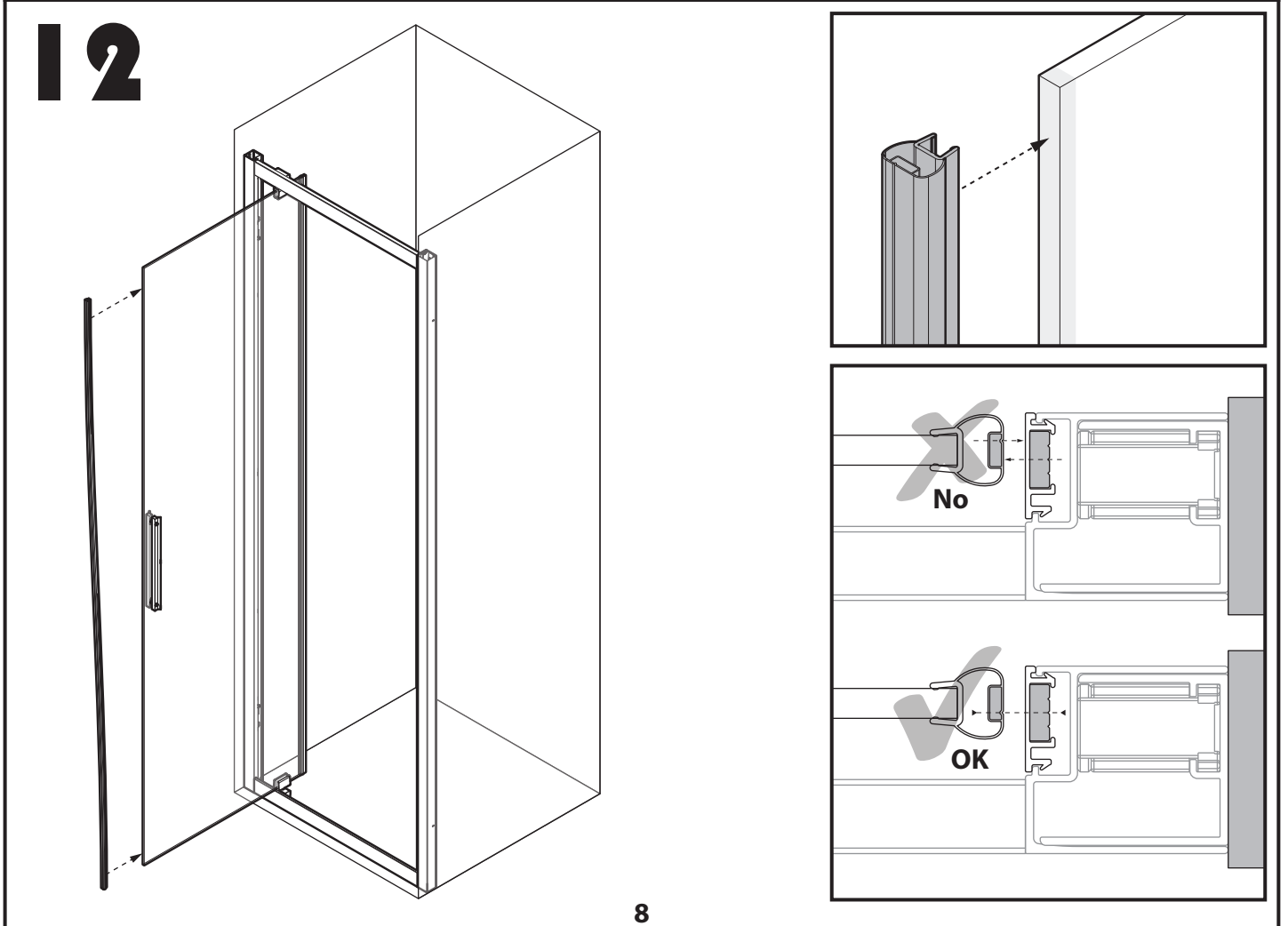
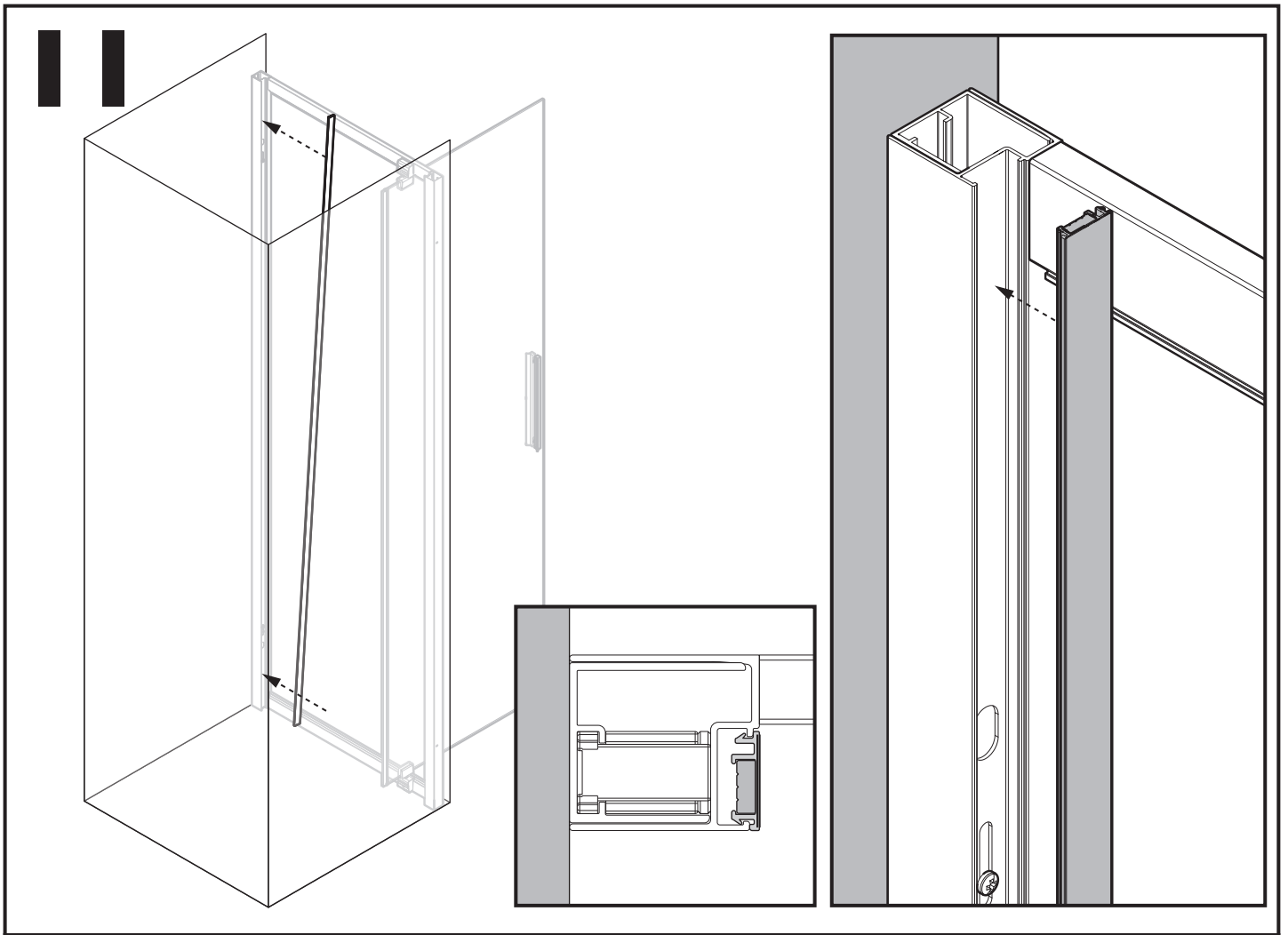


9

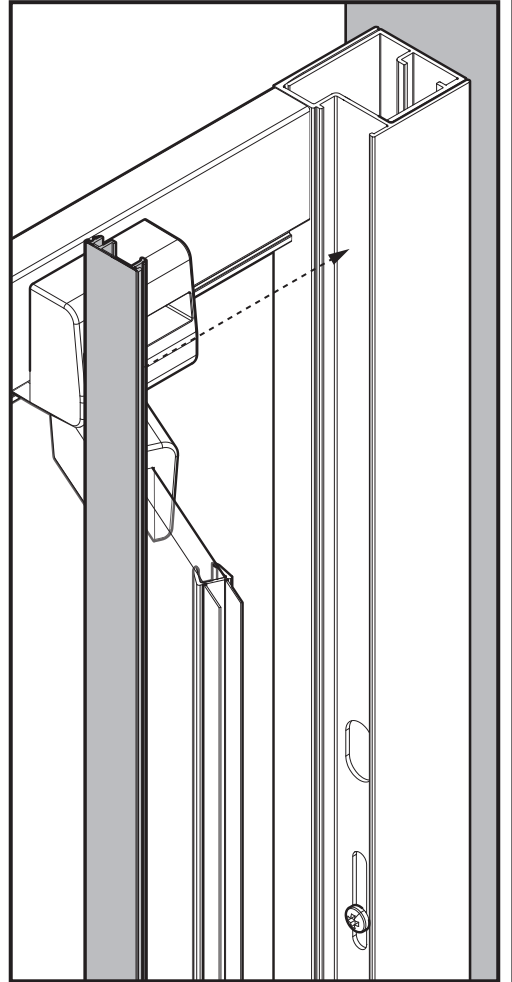
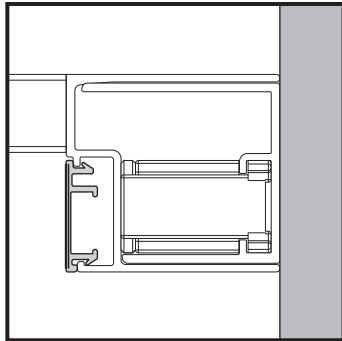
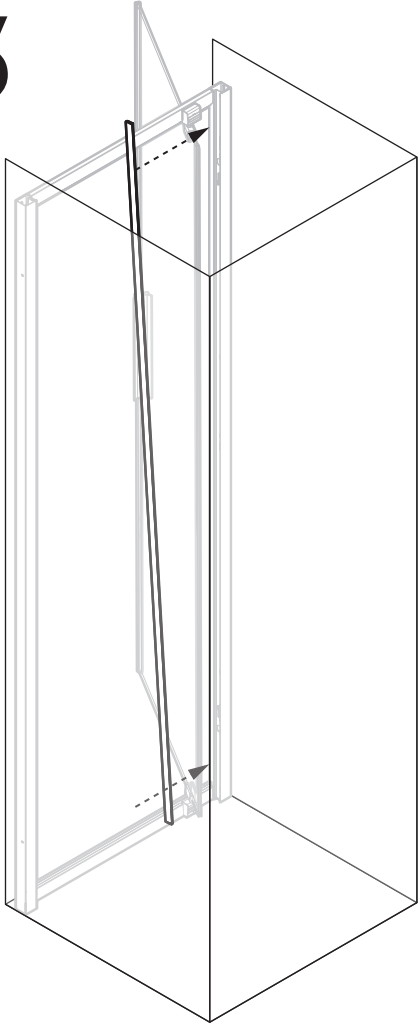


10

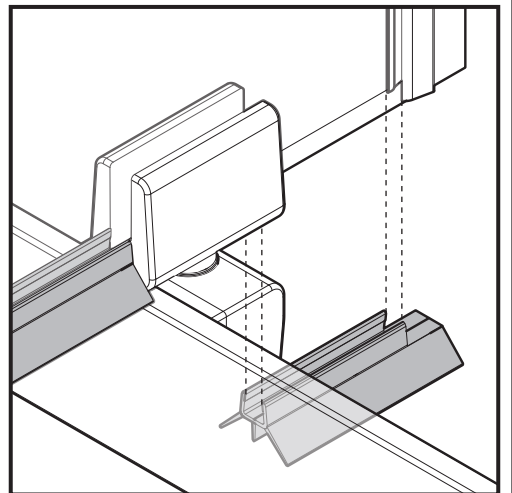
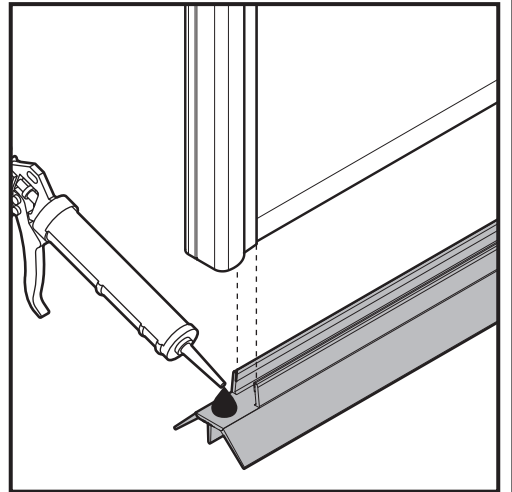
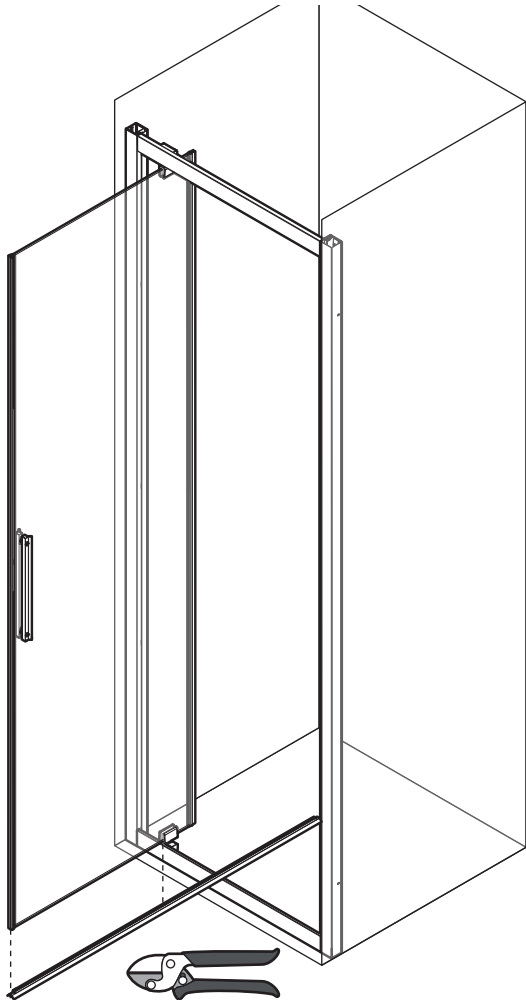




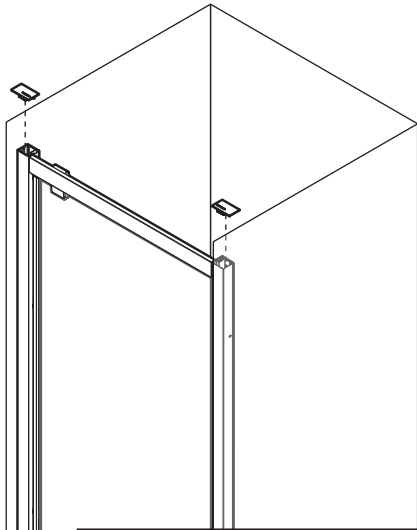
13



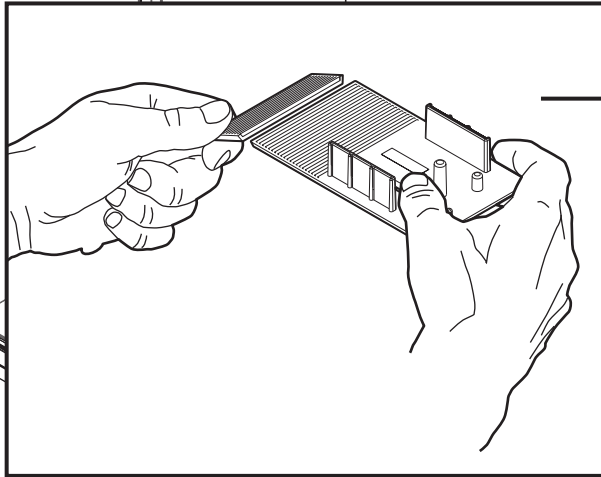
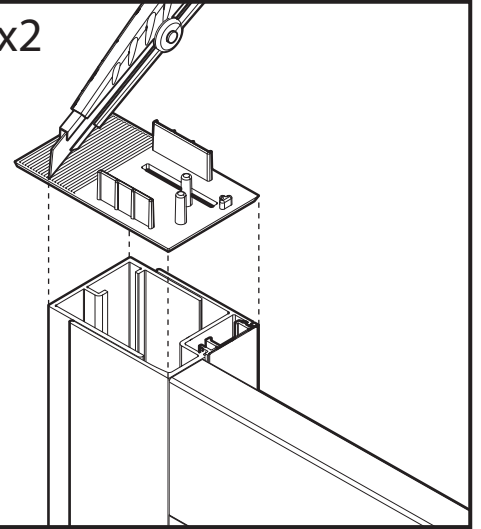
14



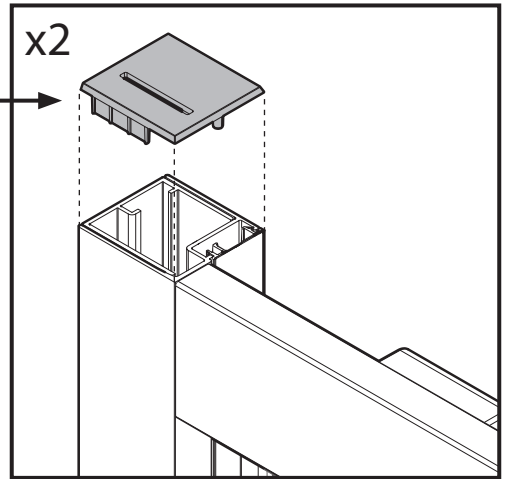
15



x2



x2



16

