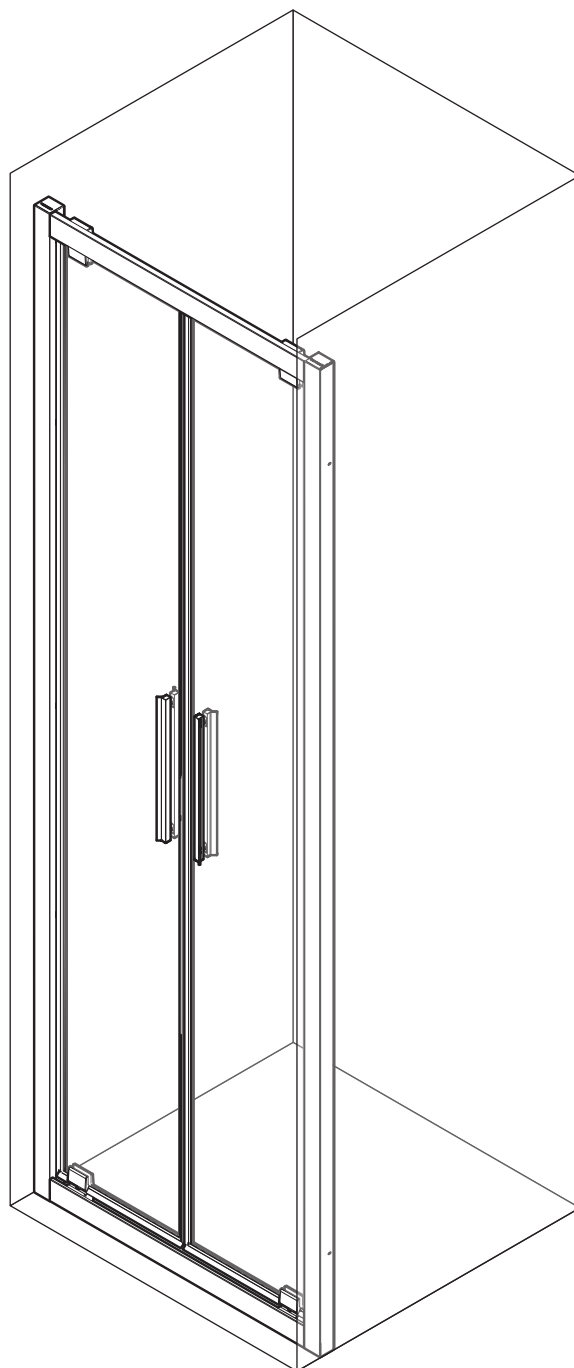


KUADRA 2.0

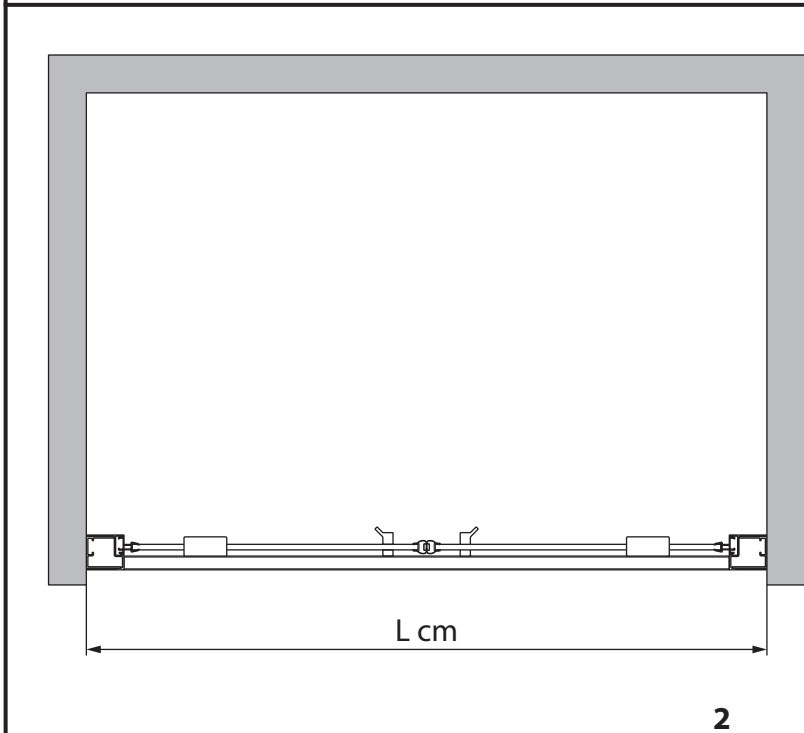
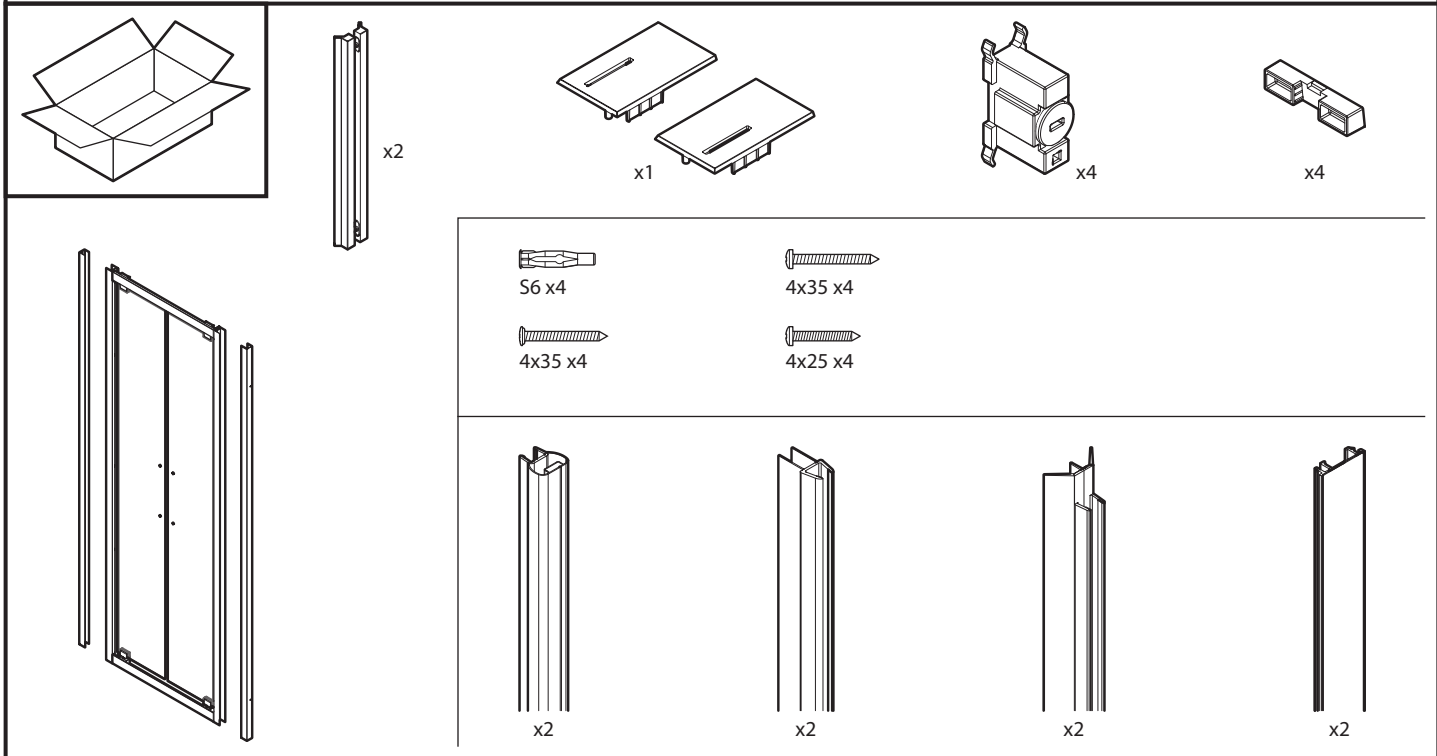
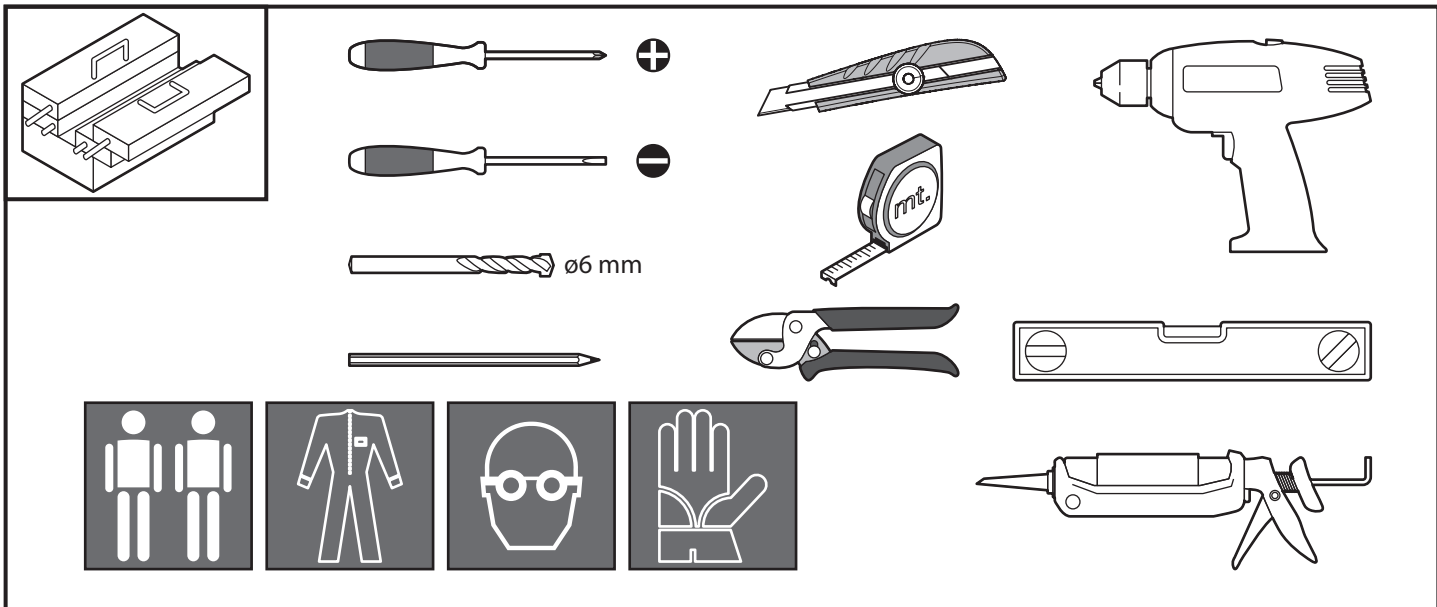


NOVELLINI

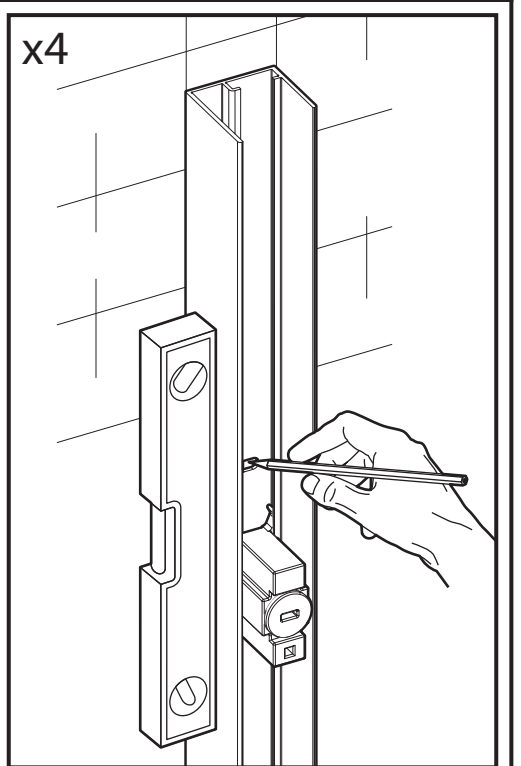
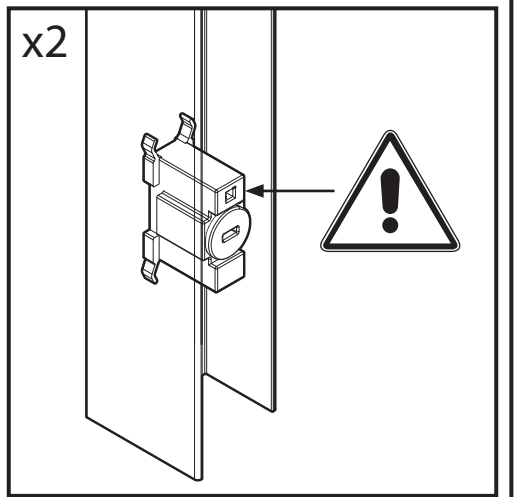
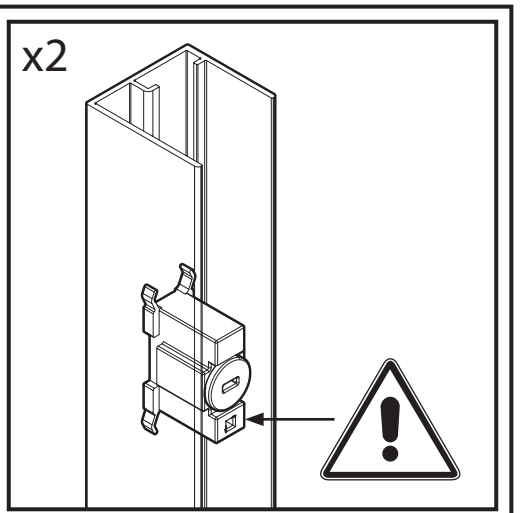
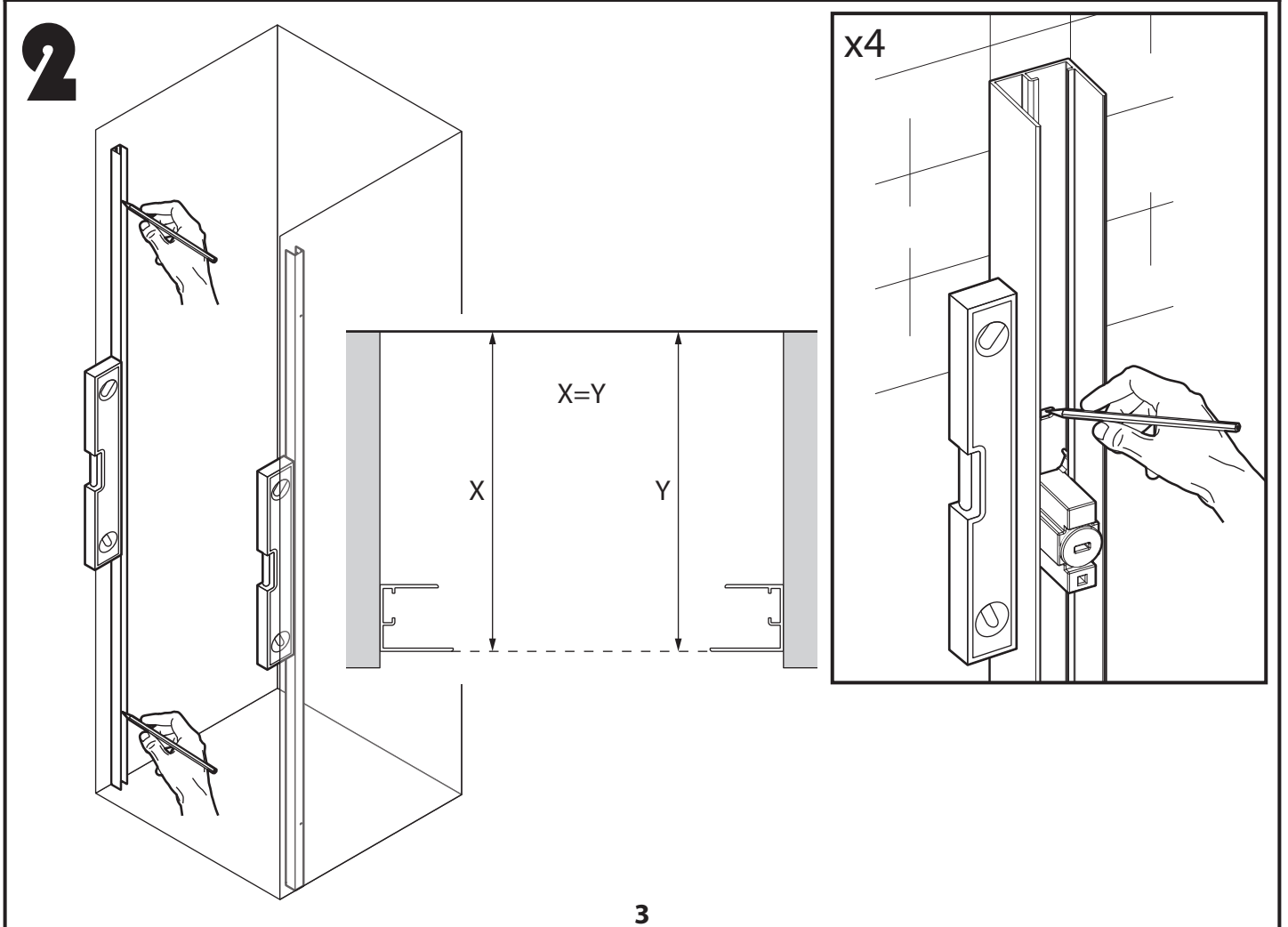
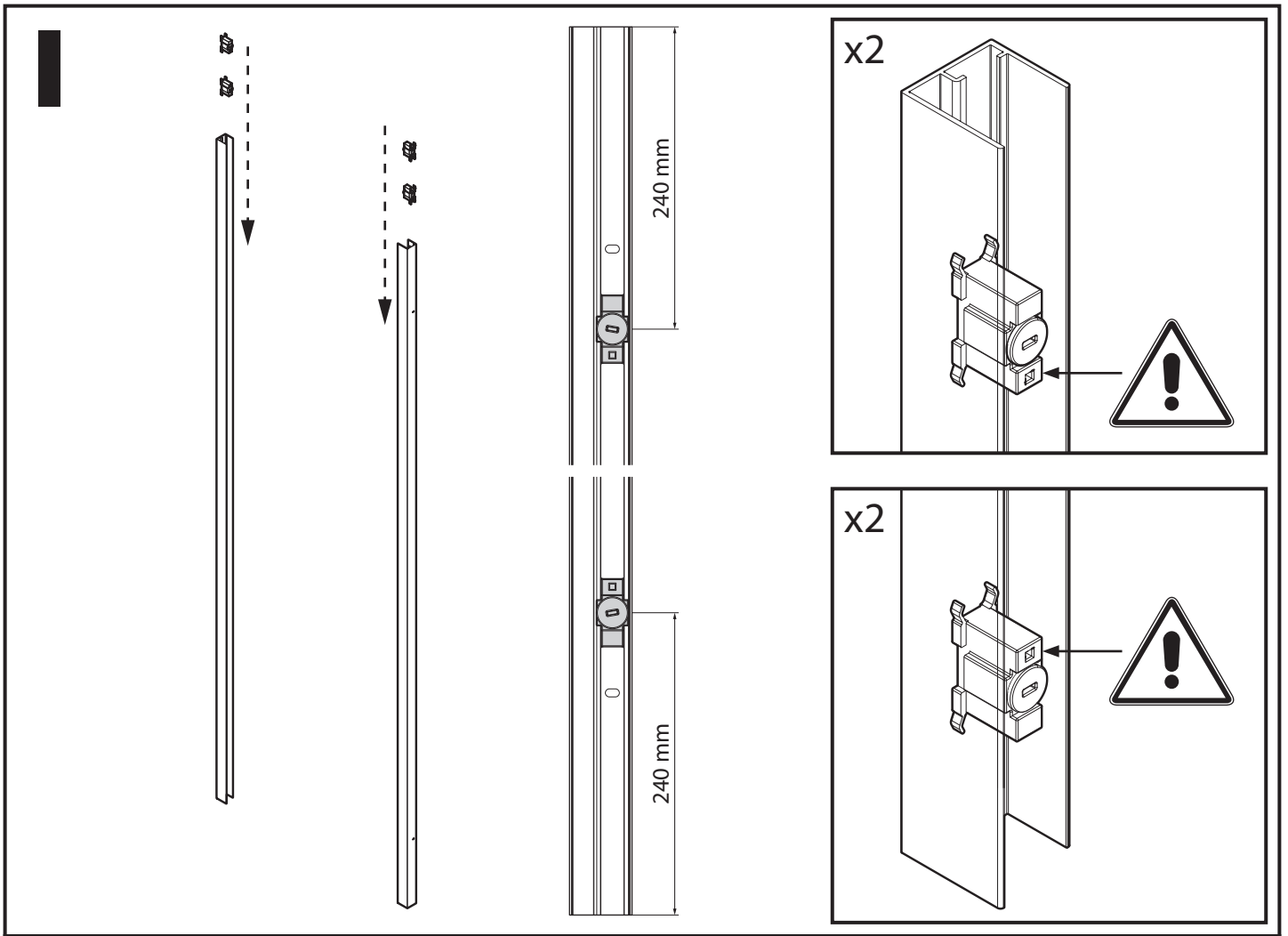
2B



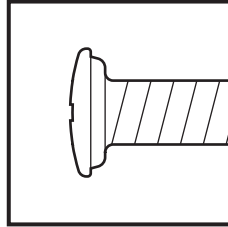
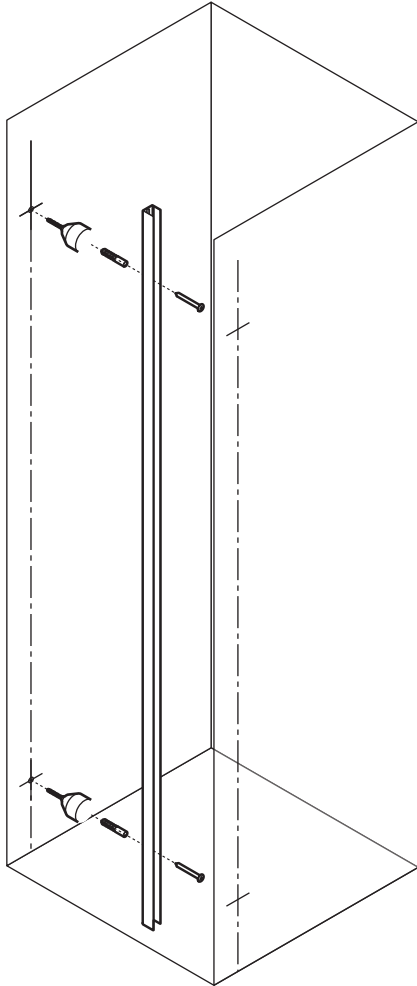
<hr/> <hr/> <hr/> <hr/>	<hr/> <hr/> <hr/> <hr/>
-------------------------	-------------------------



2B67	L=67-71 cm
2B72	L=72-76 cm
2B77	L=77-81 cm
2B87	L=87-91 cm
2B97	L=97-101 cm



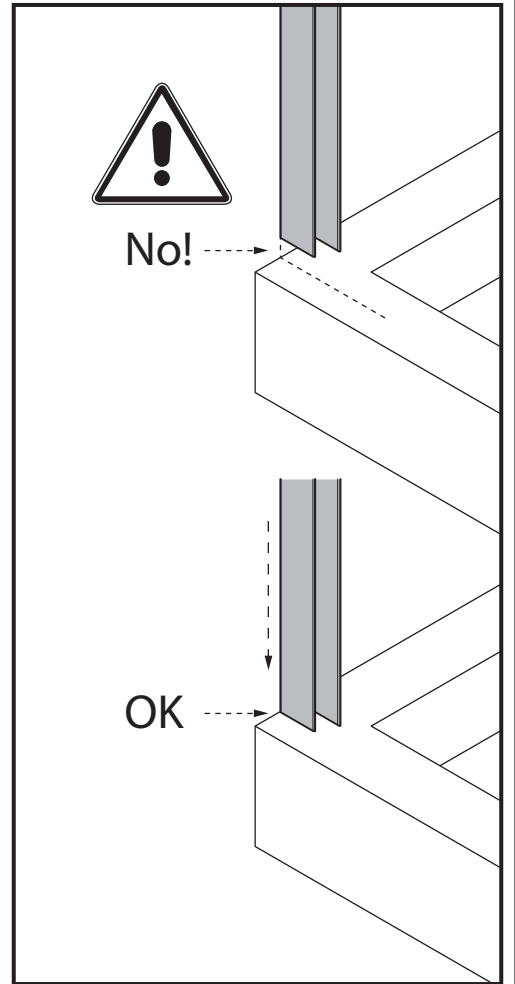
3



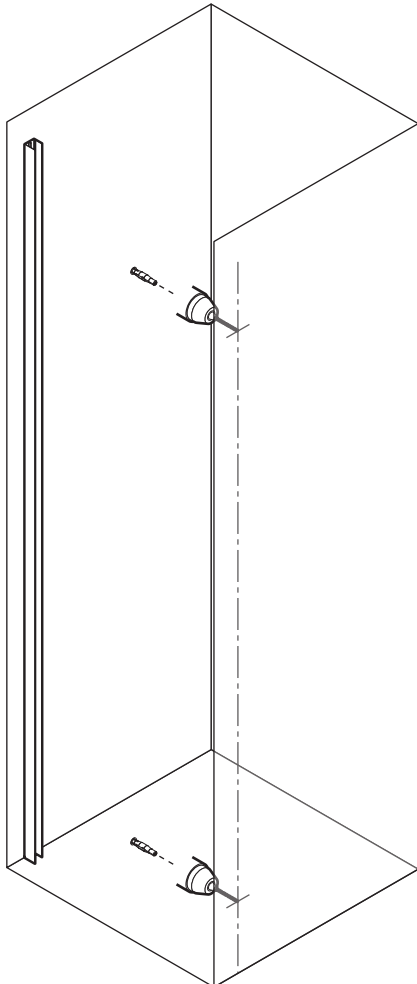
4x35 x2

S6x2

ø6 mm

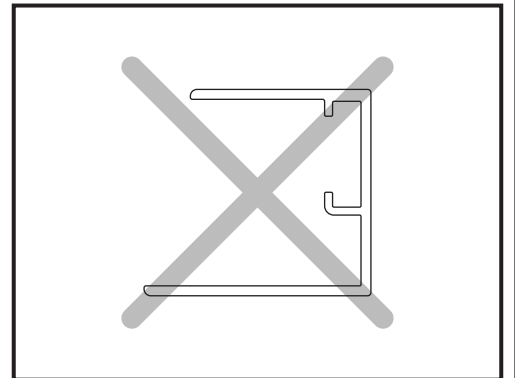


4

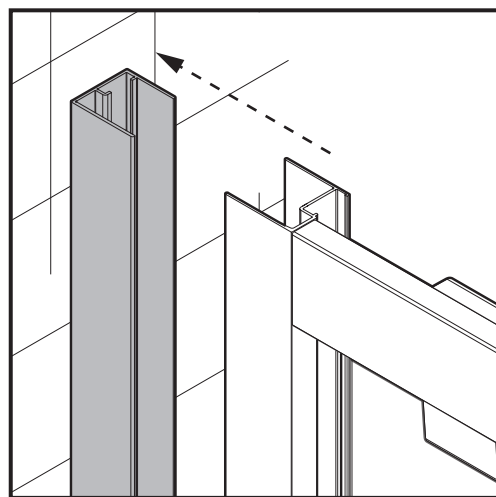
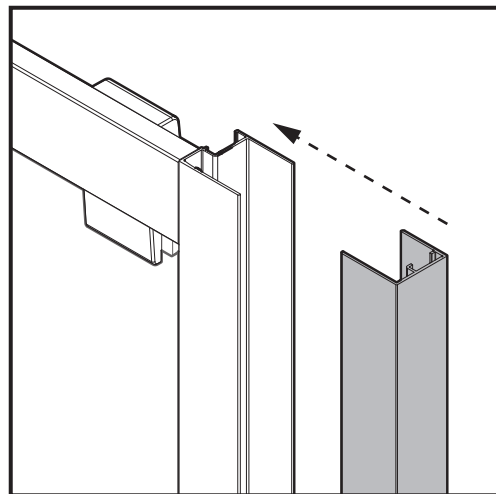
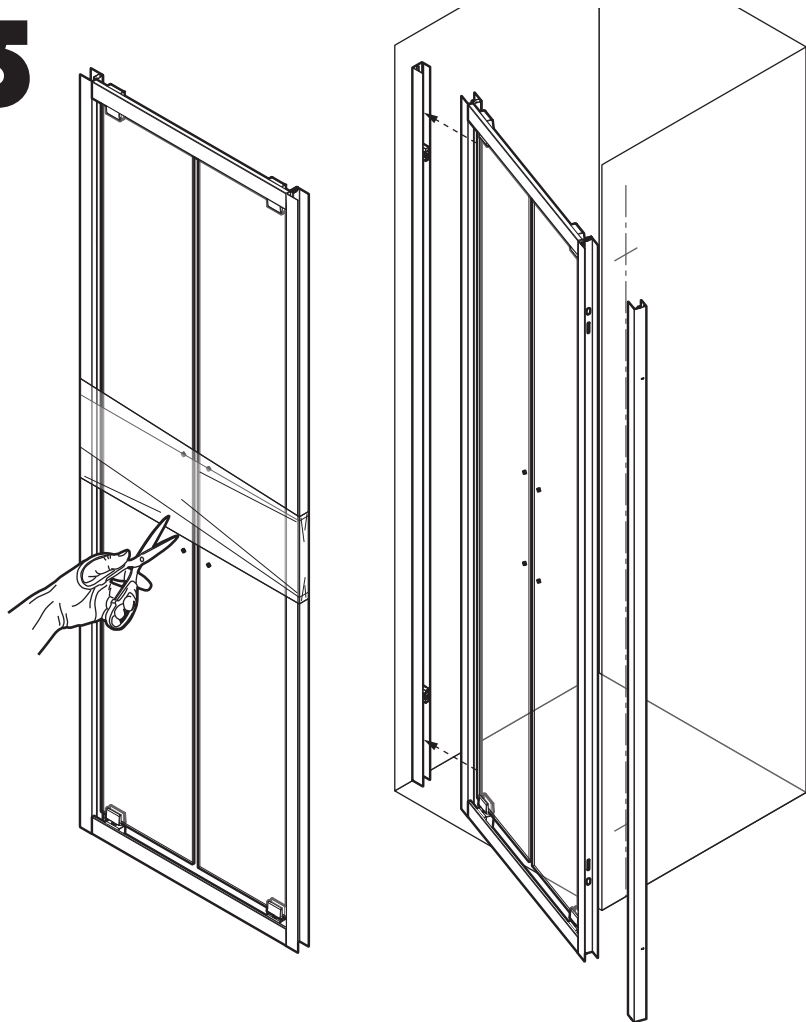


S6x2

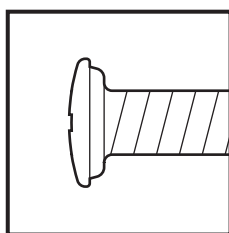
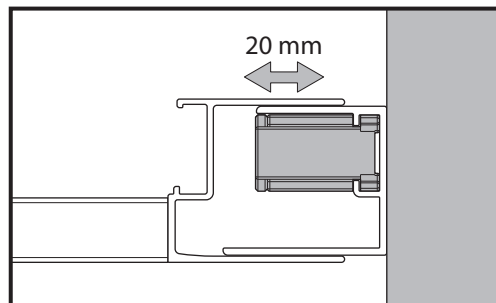
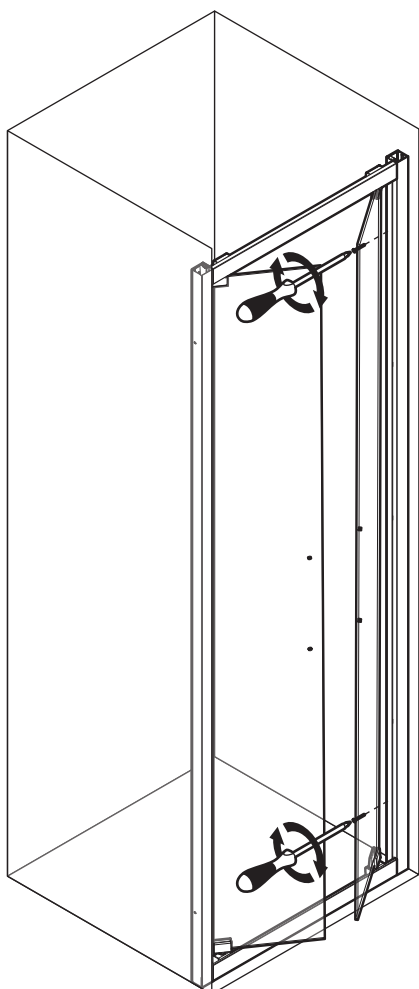
ø6 mm



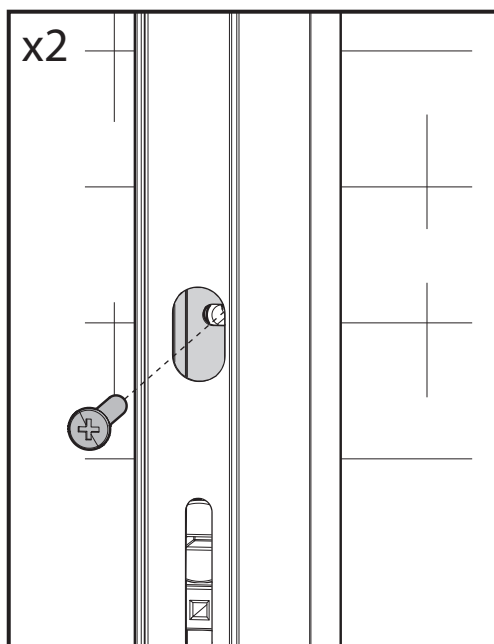
5



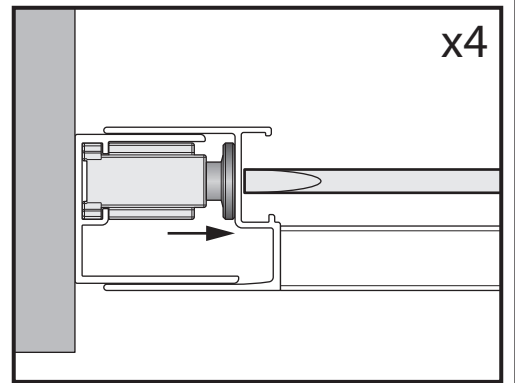
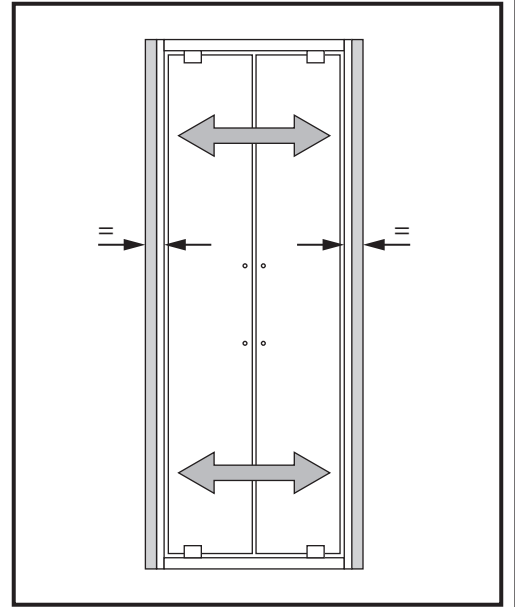
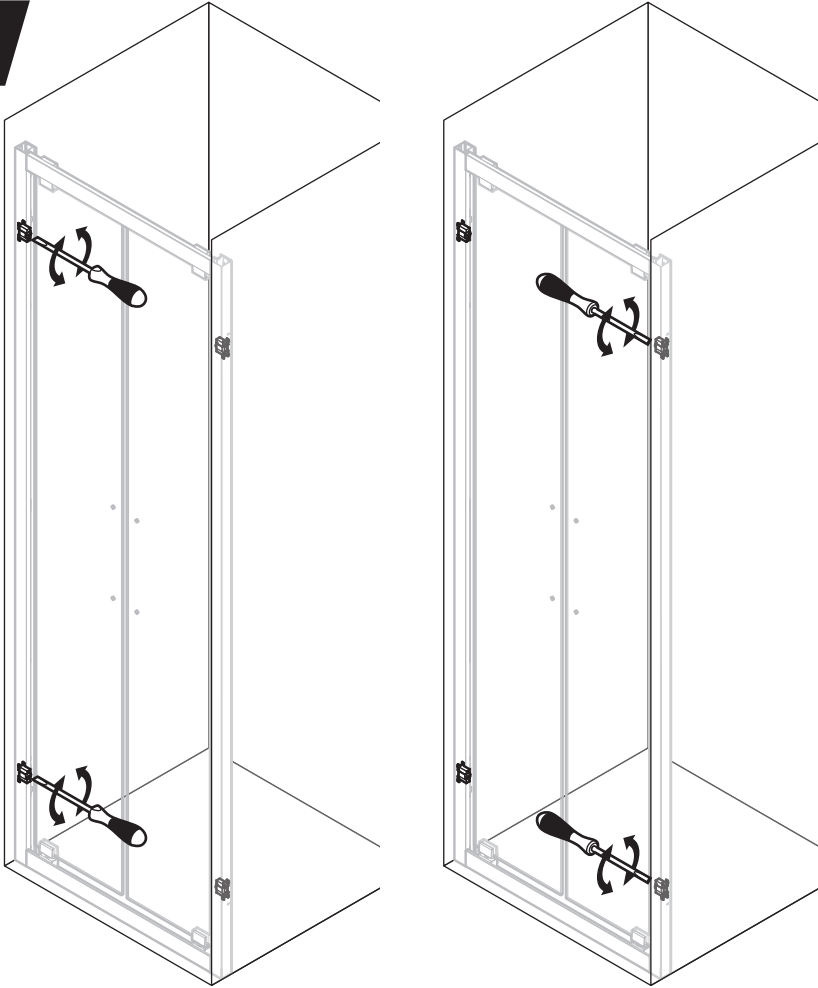
6



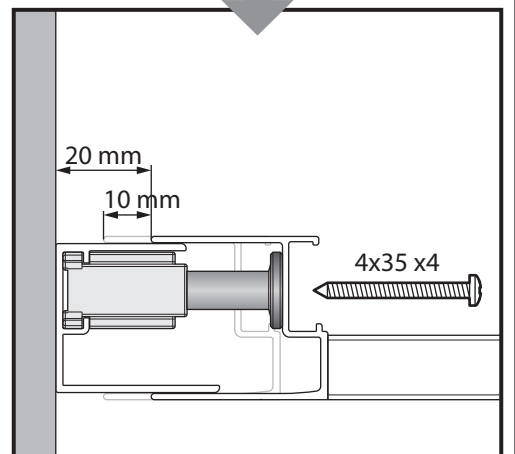
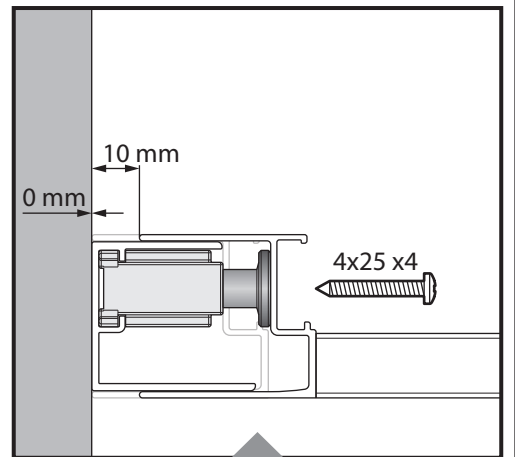
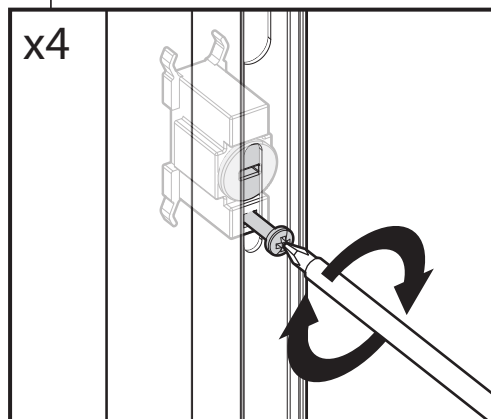
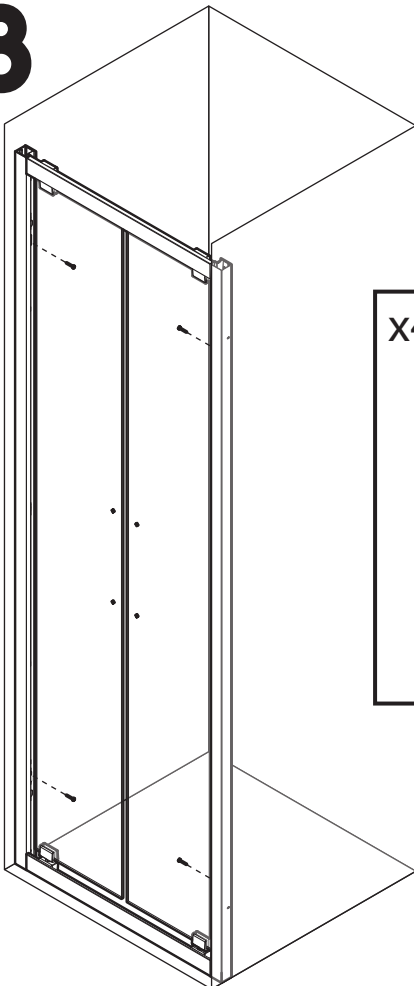
4x35 x2



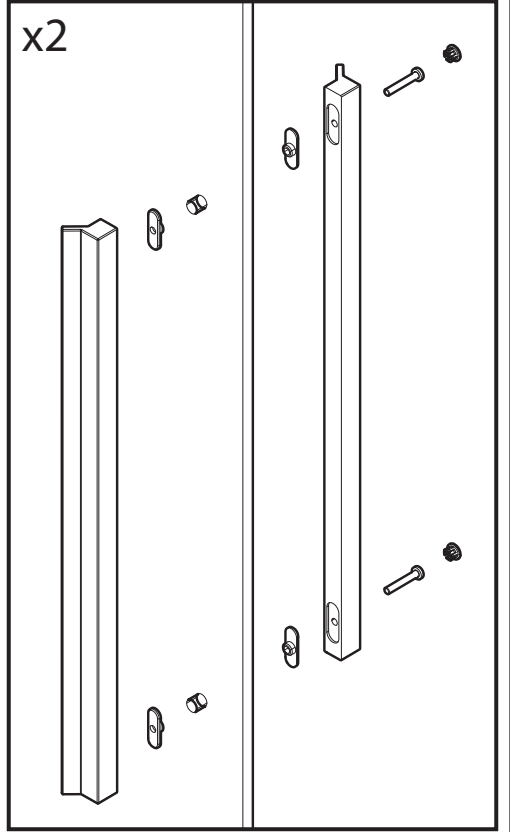
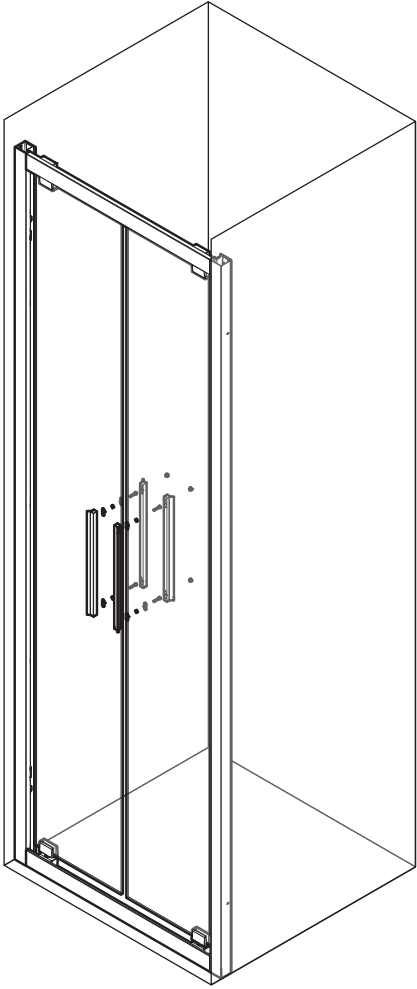
7



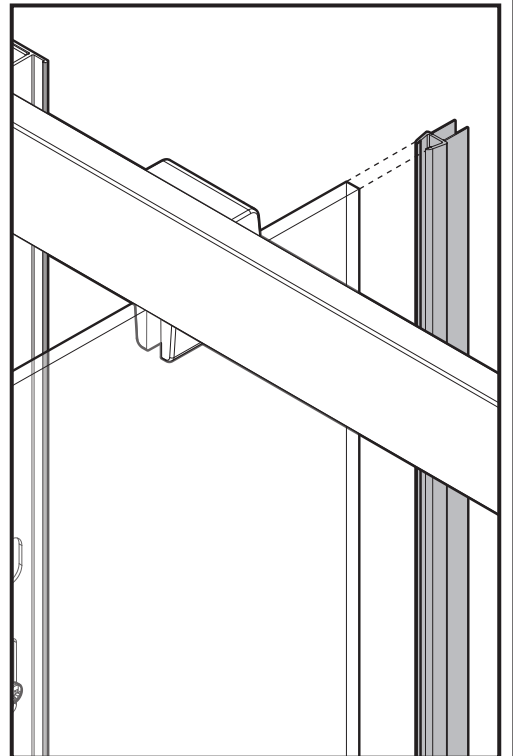
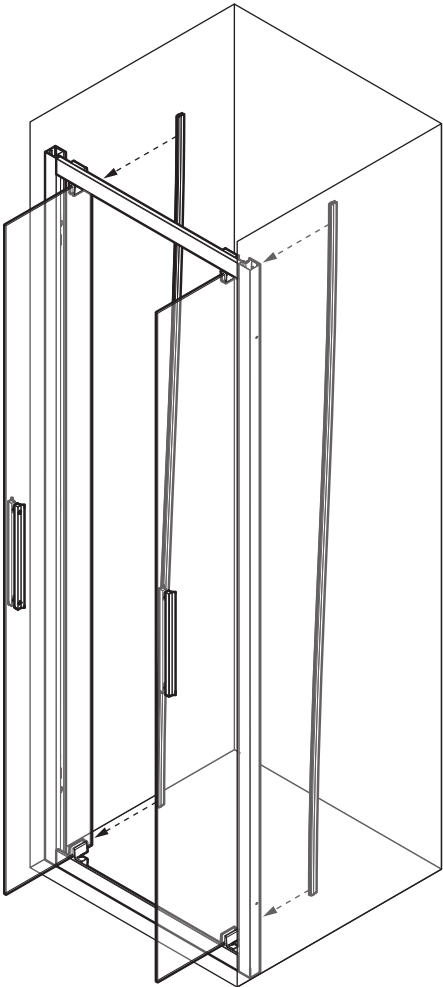
8

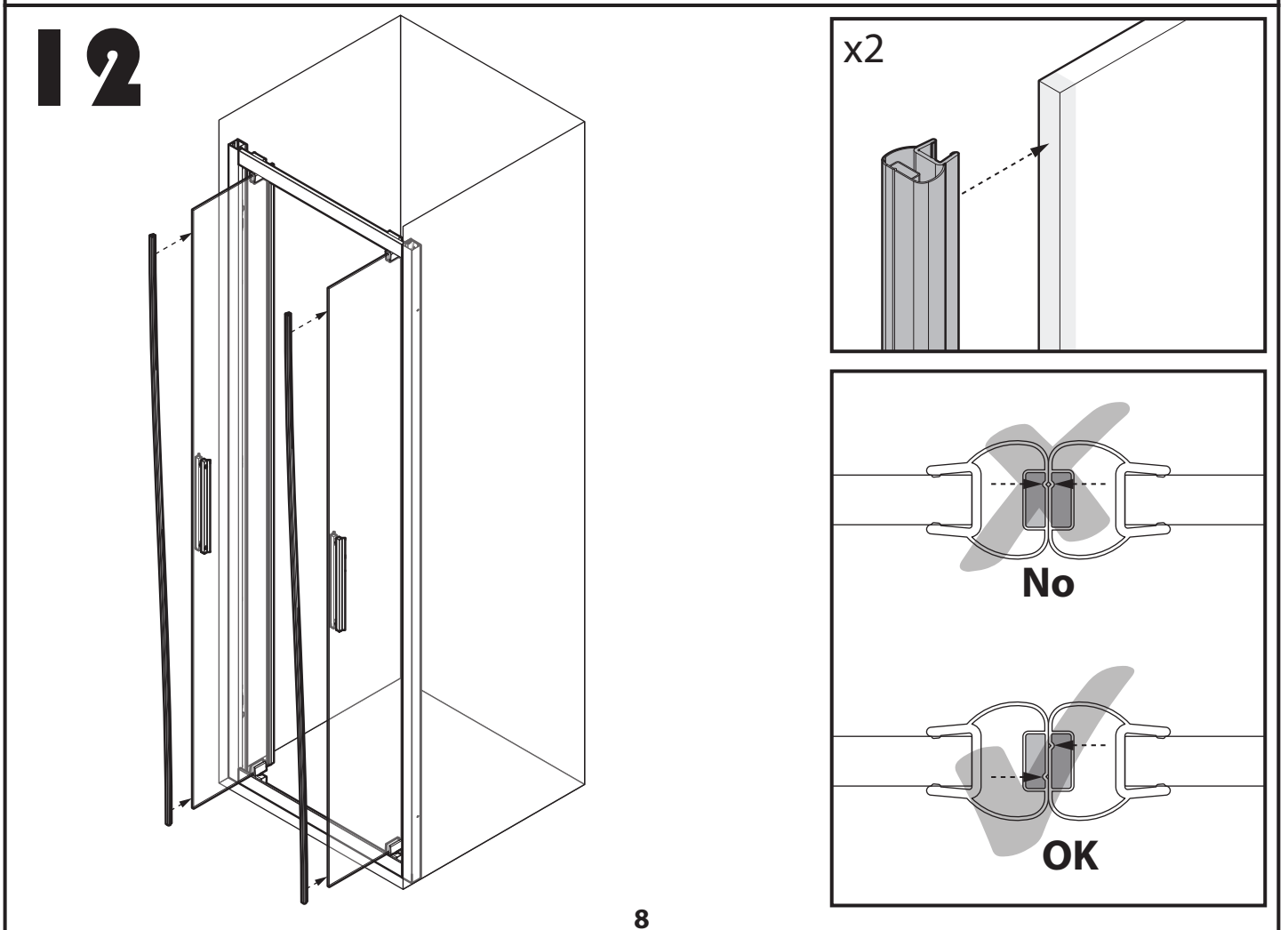
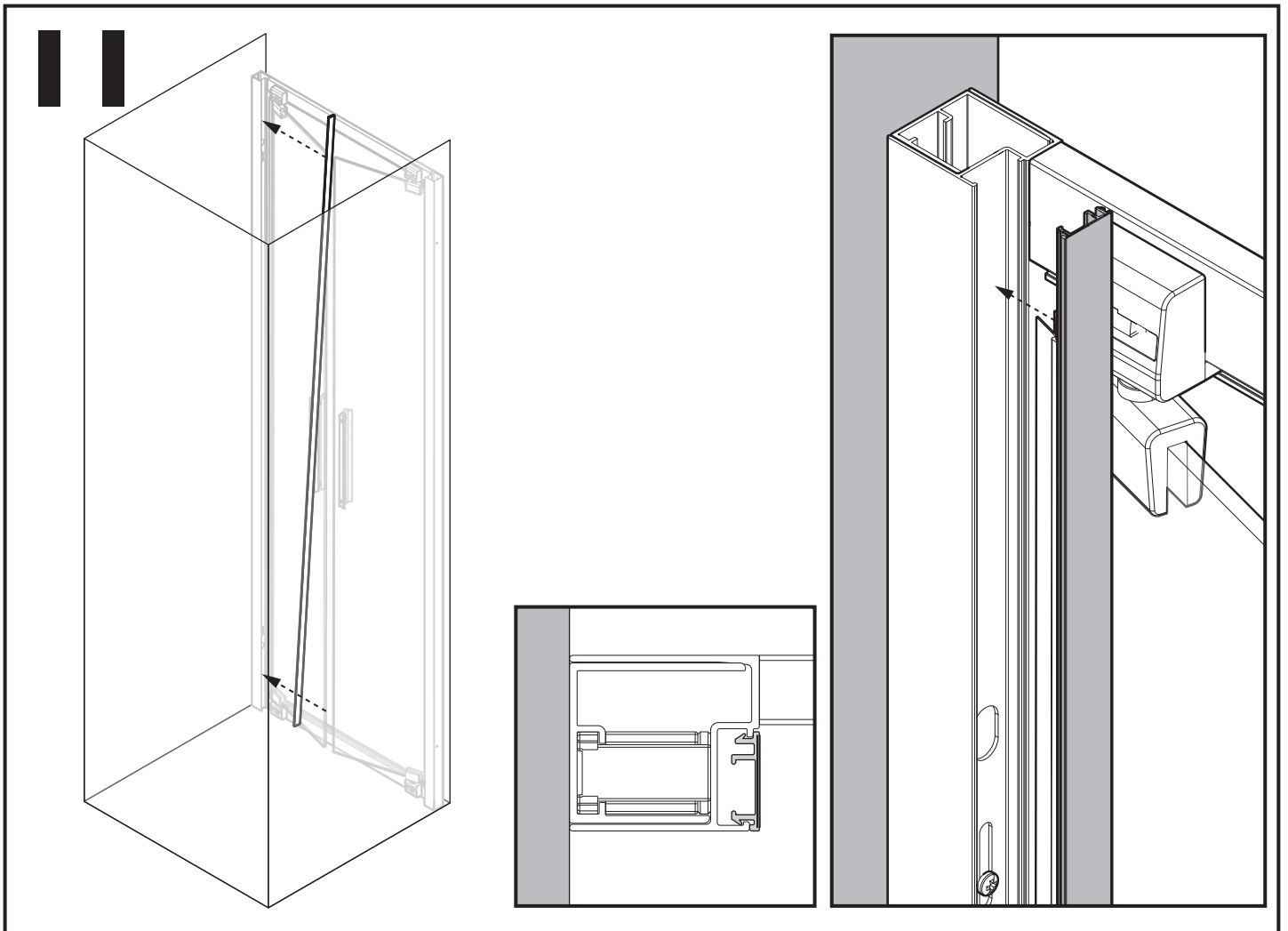


9

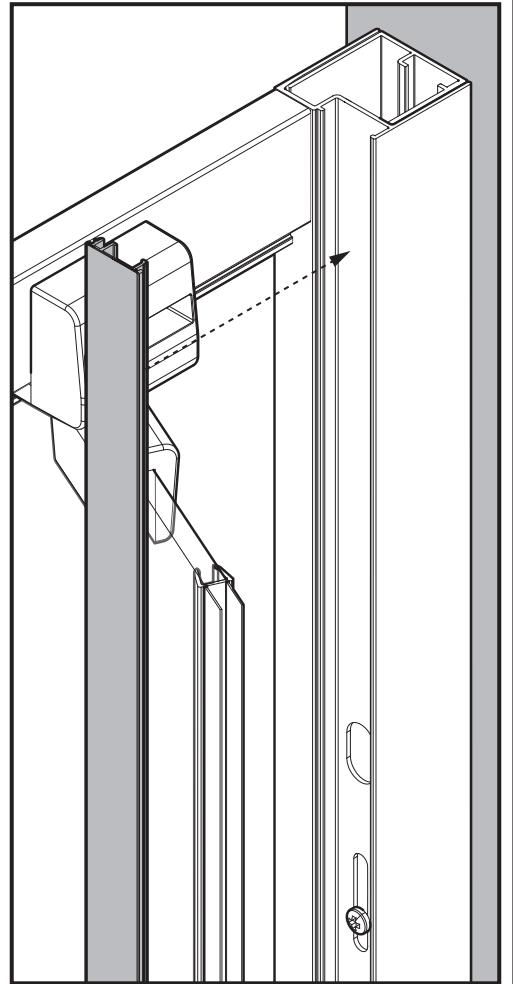
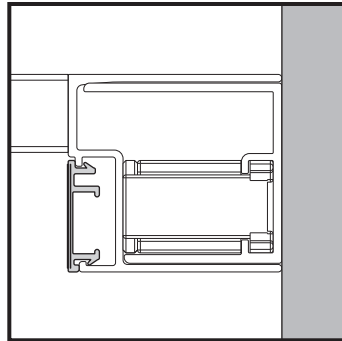
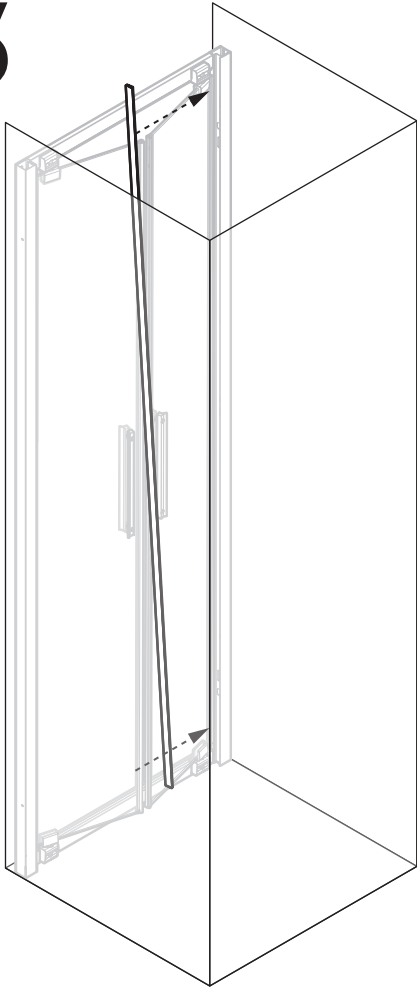


10

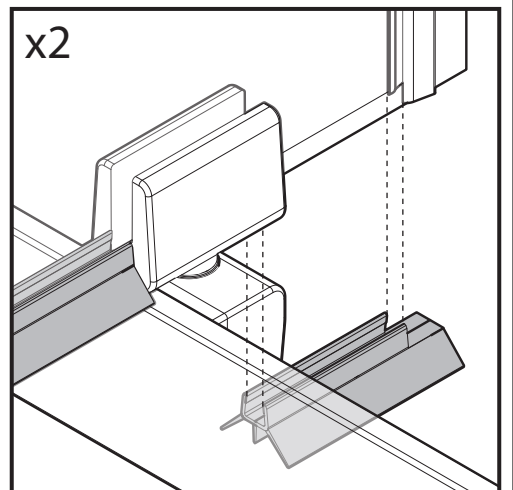
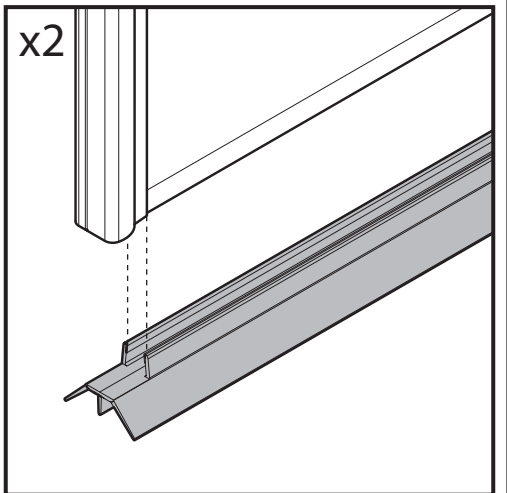
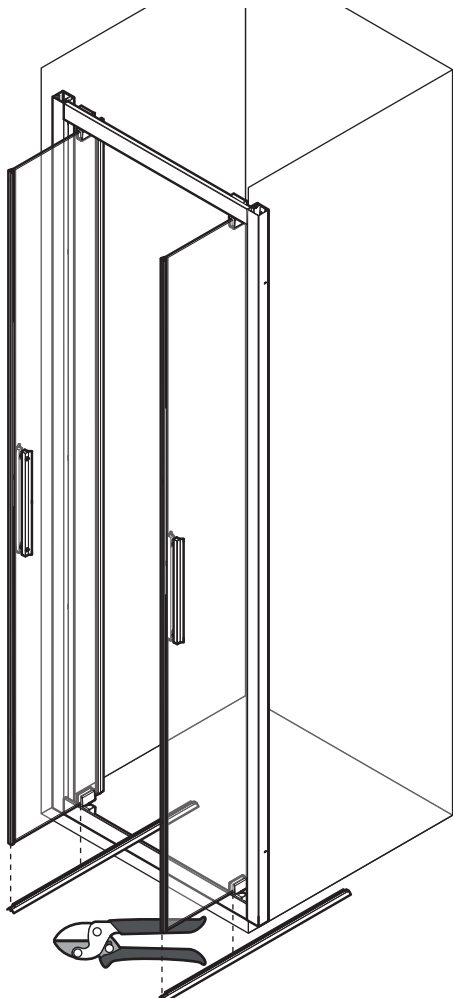




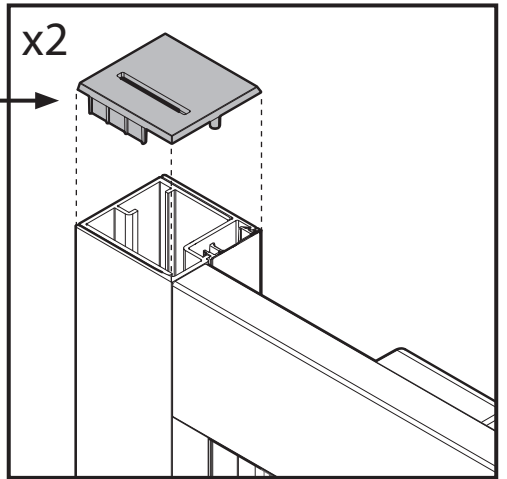
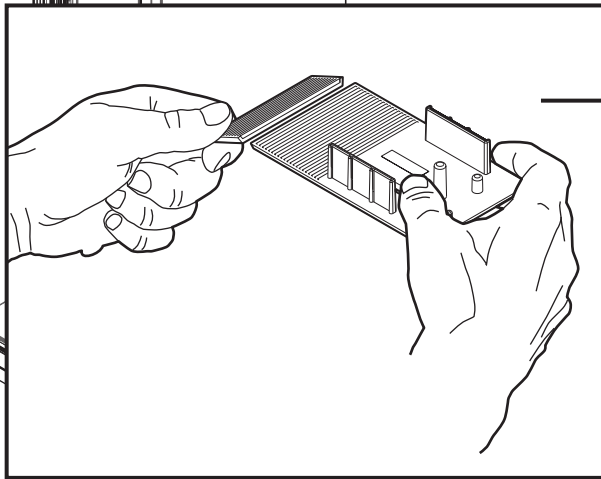
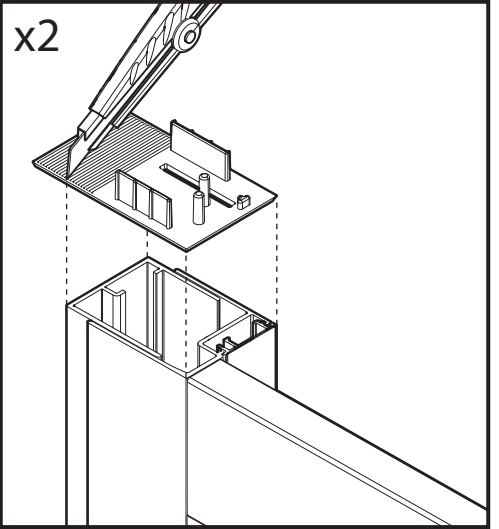
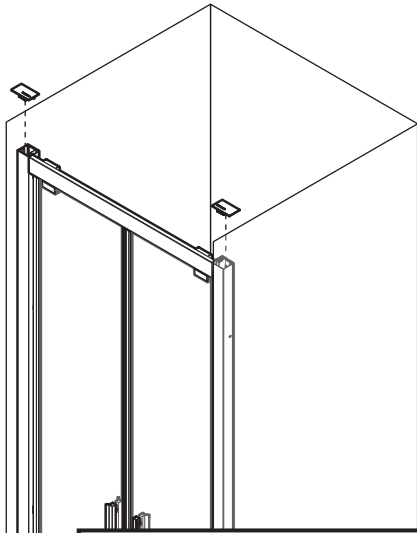
13



14



15



16

